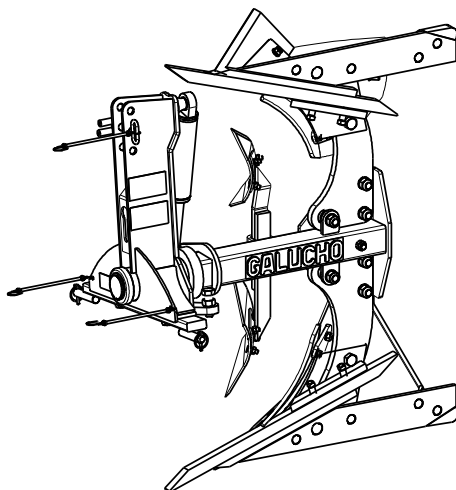




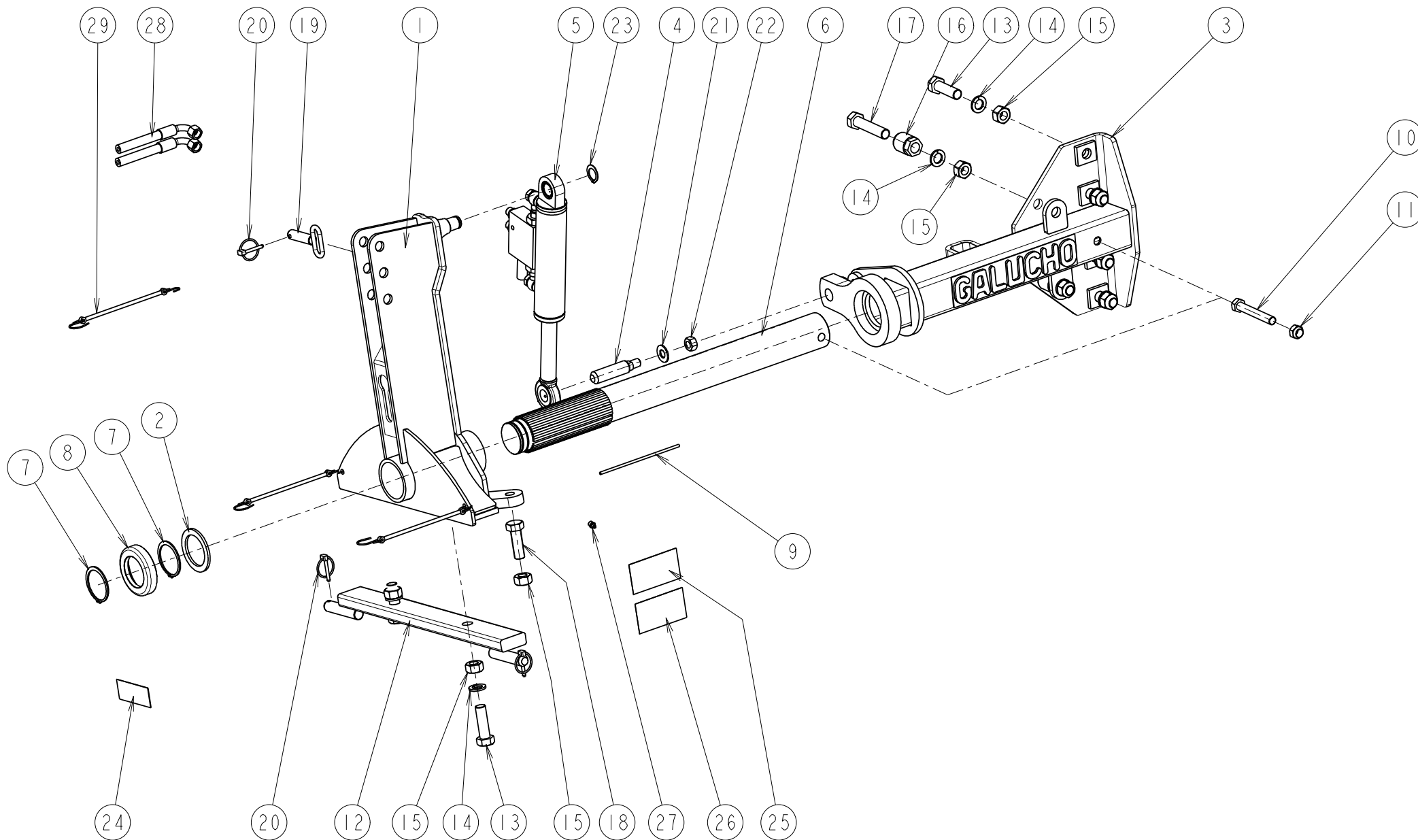
GALUCHO

**CATÁLOGO DE PEÇAS
LISTE DE PIÈCES DE RÉCHANGE
SPARE PART'S LIST**



MCH1-12-180H

**CHARRUA MINI, REVERSÃO HIDRÁULICA, 1 CORPO DE FORMÃO A 180°
CHARRUES MINI, REVERSION HYDRAULIQUE, 1 CORP À 180°
MINI FURROW PLOUGHS, HYDRAULIC REVERSION, 1 BODIE AT 180°**



Exec.	CASTRO	Verif.	Alter.
Data	03-2016	Data	Data

MCH1-12-180H

Série	MCH-H
Cód.	21106CP01

Fig. Ref. N°	Referência Code Codigo	Quantidade/Alfaia Quantité/Machine Quantity/Implement	Descrição	Designation	Description
1	211060090	1	CABEÇOTE MCH-H	POTENCE	HEADSTOCK
2	912016304	1	ANILHA REF Ø64.5/88x5,5	RONDELLE	FLAT WASHER
3	211060010	1	CHASSIS MCHI-H	CHASSIS	FRAME
4	211060350	1	VEIO SUPT INF DO CIL	AXE	SHAFT
5	931023000	1	50G-170 CIL HIDR D E	CYLINDER HYDRAULIQUE	HYDRAULIC CYLINDER
6	211030180	1	VEIO DA MCH	CAME	CAME
7	914000650	2	FREIO EXT 65 DIN 471	CIRCLIP EXT	EXT CIRCLIP
8	211030150	1	TAMPA DO VEIO	BOUCHON	COVER
9	211030190	43	ROLETE MCH	GALET	ROLLER
10	910101672	1	PARAF. CS 8.8 M16x110	VIS HEXAGONAL	HEXAGONAL SCREW
11	911150160	1	PORCA S AUTOBL M16 ZN	ÉCROU INDESSERRABLE M16 ZN	SELF LOCKING NUT M16 ZN
12	211030050	1	BARRA DE ENGATE MCHI	PLAQUE D'ATTELAGE	ATCHING PLATE
13	910102056	6	PARAF. CS 8.8 M20x65	VIS HEXAGONAL	HEXAGONAL SCREW
14	912020200	8	ANILHA MOLA 20 ZN	RONDELLE ÉLASTIQUE 20	SPRING WASHER 20
15	911118200	10	PORCA SEXT. 8 M20	ÉCROU HEXAGONAL M20	HEXAGONAL NUT M20
16	211110180	2	AFINADOR DO ÂNGULO 21x50	ÉCROU DE REGLAGE	ADJUSTING NUT
17	910102068	2	PARAF. CS 8.8 M20x95	VIS HEXAGONAL	HEXAGONAL SCREW
18	910112060	2	PARAF. CS RT 8.8 M20x60	VIS HEXAGONAL	HEXAGONAL SCREW
19	904521975	1	CAV. C/ ARGOLA Ø19x65	GOUPILLE	LINCH PIN
20	913211060	3	CAVILHA DE ELO Ø6	GOUPILLE À ANNEAU ROBOTANT 6	LINCH PIN 6
21	912011703	1	ANILHA REF Ø17x35x2.5	RONDELLE	FLAT WASHER
22	911118160	1	PORCA SEXT. 8 M16	ÉCROU HEXAGONAL M16	HEXAGONAL NUT M16
23	914000250	1	FREIO EXT 25 DIN 471	CIRCLIP EXT	EXT CIRCLIP
24	990200010	1	CH. IDENT. ALF. AG. MONTADAS	PLAQUE D'IDENTIFICATION	IDENTIFICATION PLATE
25	990150008	1	ETIQ.PREV.PERIG.VAR./CONS.MANU	ETIQUETTE DE PREVENTION	SAFETY STICKER
26	990150005	1	ETIQ.PREV.FORÇ.LAT.MANT.AFAST.	ETIQUETTE DE PREVENTION	SAFETY STICKER
27	930001101	1	LUBRIFICADOR M10x1 RECTO	GRAISEUR	GREASE NIPPLE
28	930309115	2	MANG 1/4"x800 C+VR	TUYAU À HAUTE	HIGH PRESSURE HOSE
29	972520590	3	SUPORTE DE CAVILHAS	SUPPORT DE GOUPILLE	PIN HOLDER

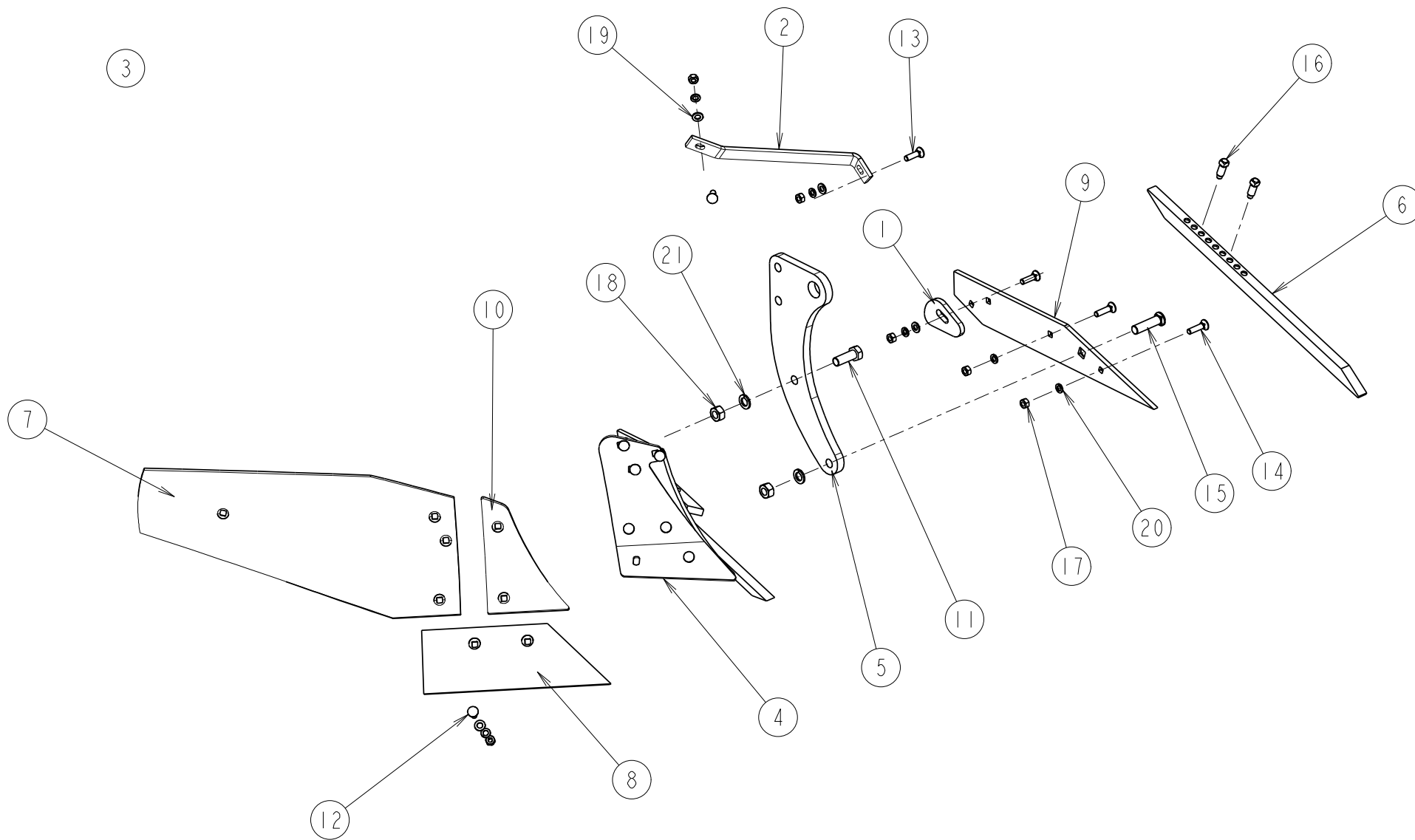


Fig. Ref. N°	Referência Code Codigo	Quantidade/Alfaia Quantité/Machine Quantity/Implement	Descrição	Designation	Description
1	150200100	1	CALÇO DRT Nº2	TALON DROIT	RIGHT HEEL
2	211030130	1	ESCORA DRT	ACCROCHEZ	BRACE
3	211030600	1	CORPO DE FORMÃO DRT 1F-12-180	BURIN DU CORPS	BODY FRAME
4	211110210	1	CEPO DIREITO 8/10	SEP DROIT	FROG RIGHT
5	211120020	1	APO OU TEIRÓ 1F-90 10/12	ÉTANÇON	BEAM
6	811113070	1	FORMÃO 32x25x750	CISEAU	CHISEL
7	811121420	1	AIVECA DRT 2F-12"	VERSOIR	MOULDBOARD
8	811132620	1	RELHA DRT 2-12"-180	SOC GAUCHE RASETTE	RIGHT SKIMMER SHARE
9	811141920	1	RASTO DIREITO T 2F-12"	SUIVRE	TRACK
10	811151120	1	RASPA DE AIVECA DRT 2F-12"	EPAULEMENT DE VERSOIR	SHIN
11	910112055	1	PARAF. CS RT 8.8 M20x55	VIS HEXAGONAL	HEXAGONAL SCREW
12	910131235	8	PARAF. CE A08.8 M12x35	VIS À LA TÊTE PLATE	FLAT HEAD SCREW
13	910131245	2	PARAF. CE A08.8 M12x45	VIS À LA TÊTE PLATE	FLAT HEAD SCREW
14	910131250	2	PARAF. CE A08.8 M12x50	VIS À LA TÊTE PLATE	FLAT HEAD SCREW
15	910132074	1	PARAF. CE A08.8 M20x80	VIS À LA TÊTE PLATE	FLAT HEAD SCREW
16	910155839	2	PARAF AJUST 5/8BSWx39	VIS	SQUARE SCREW
17	911118120	12	PORCA SEXT. 8 M12	ÉCROU HEXAGONAL M12	HEXAGONAL NUT M12
18	911118200	2	PORCA SEXT. 8 M20	ÉCROU HEXAGONAL M20	HEXAGONAL NUT M20
19	912000140	5	ANILHA 13-M12	RONDELLE 13-M12	FLAT WASHER 13-M12
20	912020120	12	ANILHA MOLA 12 ZN	RONDELLE ÉLASTIQUE 12	SPRING WASHER 12
21	912020200	2	ANILHA MOLA 20 ZN	RONDELLE ÉLASTIQUE 20	SPRING WASHER 20

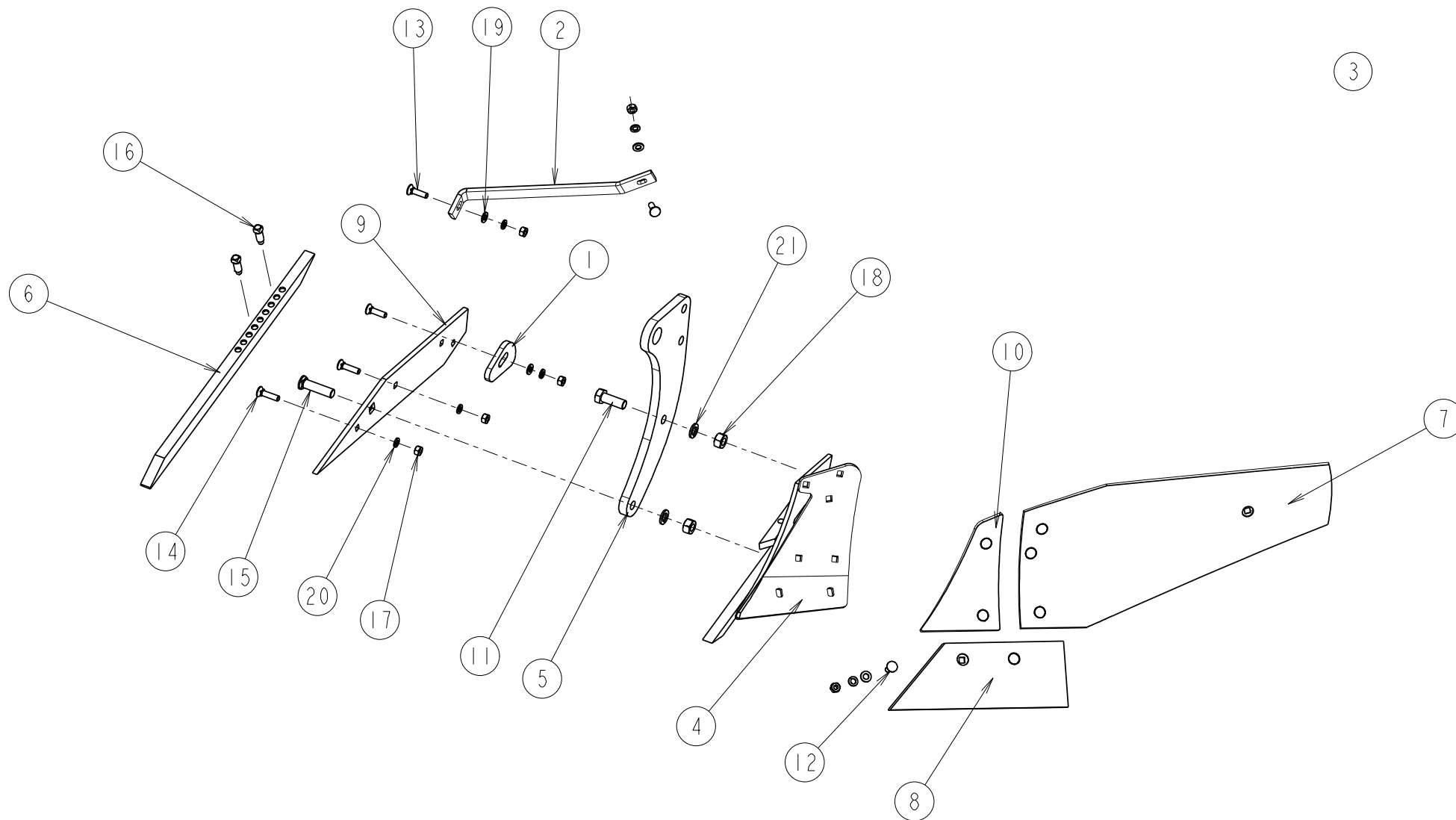


Fig. Ref. N°	Referência Code Codigo	Quantidade/Alfaia Quantité/Machine Quantity/Implement	Descrição	Designation	Description
1	150200090	1	CALÇO ESQ N°1	TALON GAUCHE N°1	LEFT HEEL N°1
2	211030120	1	ESCORA ESQ	ACCROCHEZ	BRACE
3	211030610	1	CORPO DE FORMÃO ESQ 1F-12-180	BURIN DU CORPS	BODY FRAME
4	211110290	1	CEPO ESQ. 8/10	SEP GAUCHE	FROG LEFT
5	211120020	1	APO OU TEIRÓ 1F-90 10/12	ÉTANÇON	BEAM
6	811113070	1	FORMÃO 32x25x750	CISEAU	CHISEL
7	811121410	1	AIVECA ESQ 2F-12"	VERSOIR	MOULDBOARD
8	811132610	1	RELHA ESQ 2-12"-180	SOC GAUCHE RASETTE	RIGHT SKIMMER SHARE
9	811141910	1	RASTO ESQUERDO T 2F-12"-180	SUIVRE	TRACK
10	811151110	1	RASPA DE AIVECA ESQ 2F-12"	EPAULEMENT DE VERSOIR	SHIN
11	910112055	1	PARAF. CS RT 8.8 M20x55	VIS HEXAGONAL	HEXAGONAL SCREW
12	910131235	8	PARAF. CE A08.8 M12x35	VIS À LA TÊTE PLATE	FLAT HEAD SCREW
13	910131245	2	PARAF. CE A08.8 M12x45	VIS À LA TÊTE PLATE	FLAT HEAD SCREW
14	910131250	2	PARAF. CE A08.8 M12x50	VIS À LA TÊTE PLATE	FLAT HEAD SCREW
15	910132074	1	PARAF. CE A08.8 M20x80	VIS À LA TÊTE PLATE	FLAT HEAD SCREW
16	910155839	2	PARAF AJUST 5/8BSWx39	VIS	SQUARE SCREW
17	911118120	12	PORCA SEXT. 8 M12	ÉCROU HEXAGONAL M12	HEXAGONAL NUT M12
18	911118200	2	PORCA SEXT. 8 M20	ÉCROU HEXAGONAL M20	HEXAGONAL NUT M20
19	912000140	5	ANILHA 13-M12	RONDELLE 13-M12	FLAT WASHER 13-M12
20	912020120	12	ANILHA MOLA 12 ZN	RONDELLE ÉLASTIQUE 12	SPRING WASHER 12
21	912020200	2	ANILHA MOLA 20 ZN	RONDELLE ÉLASTIQUE 20	SPRING WASHER 20

Fig. Ref. N°	Referência Code Codigo	Quantidade/Alfaia Quantité/Machine Quantity/Implement	Descrição	Designation	Description
1	211011060	1	CONJ SUPT RASPADEIRA DRT	BRAS RASETTE DROITE	RIGHT SKIMMER ARM
2	211011070	1	CONJ SUPT RASPADEIRA ESO	BRAS RASETTE GAUCHE	LEFT SKIMMER ARM
3	211011100	1	RASPADEIRAS MCH (PAR)	RASETTE (PAIRE)	SKIMMRE (PAIR)
4	211011110	1	CONJ DA RASPADEIRA ESO	RASETTE GAUCHE	LEFT SKIMMER
5	211011120	1	CONJ DA RASPADEIRA DRT	RASETTE DROITE	RIGHT SKIMMER
6	811162310	1	RASPADEIRA MCH ESO	RASETTE GAUCHE	LEFT SKIMMER
7	811162320	1	RASPADEIRA MCH DRT	RASETTE DROITE	RIGHT SKIMMER
8	910131030	8	PARAF. CE A08.8 M10x30	VIS À LA TÊTE PLATE	FLAT HEAD SCREW
9	910151637	1	PARAF. AJUST. C1.12.9 M16x35	VIS AJUSTEMENT	ADJUSTEMENT SCREW
10	911118100	8	PORCA SEXT. 8 M10	ÉCROU HEXAGONAL M10	HEXAGONAL NUT M10
11	912020100	8	ANILHA MOLA 10 ZN	RONDELLE ÉLASTIQUE 10	SPRING WASHER 10

