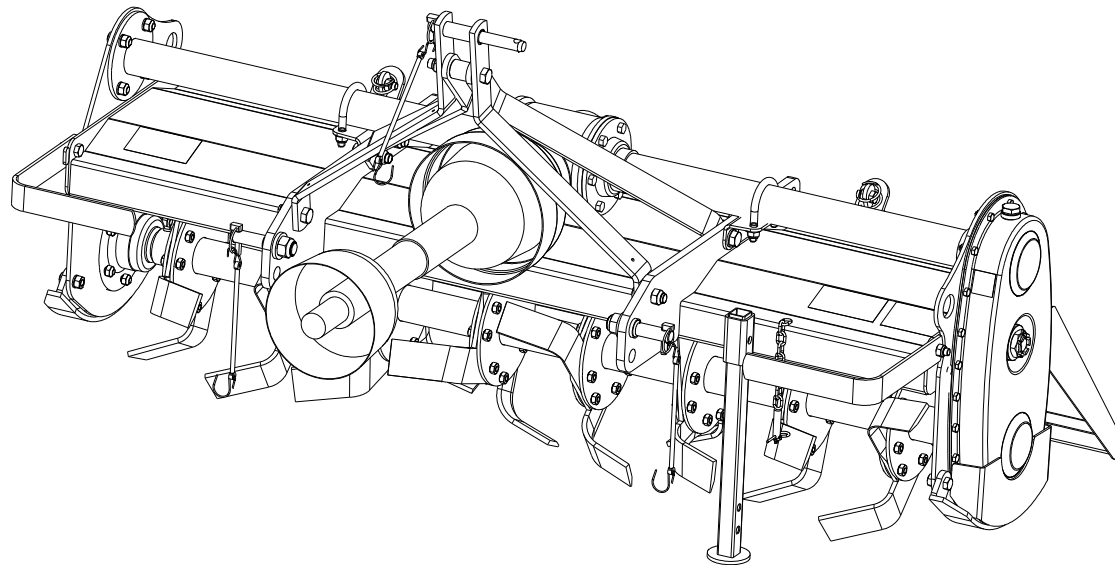




GALUCHO

**CATÁLOGO DE PEÇAS
LISTE DE PIÈCES DE RECHANGE
SPARE PART'S LIST**



FPL-1500

**FRESA PEQUENA LIGEIRA
CULTIVATEURS ROTATIFS
ROTARY TILLERS**

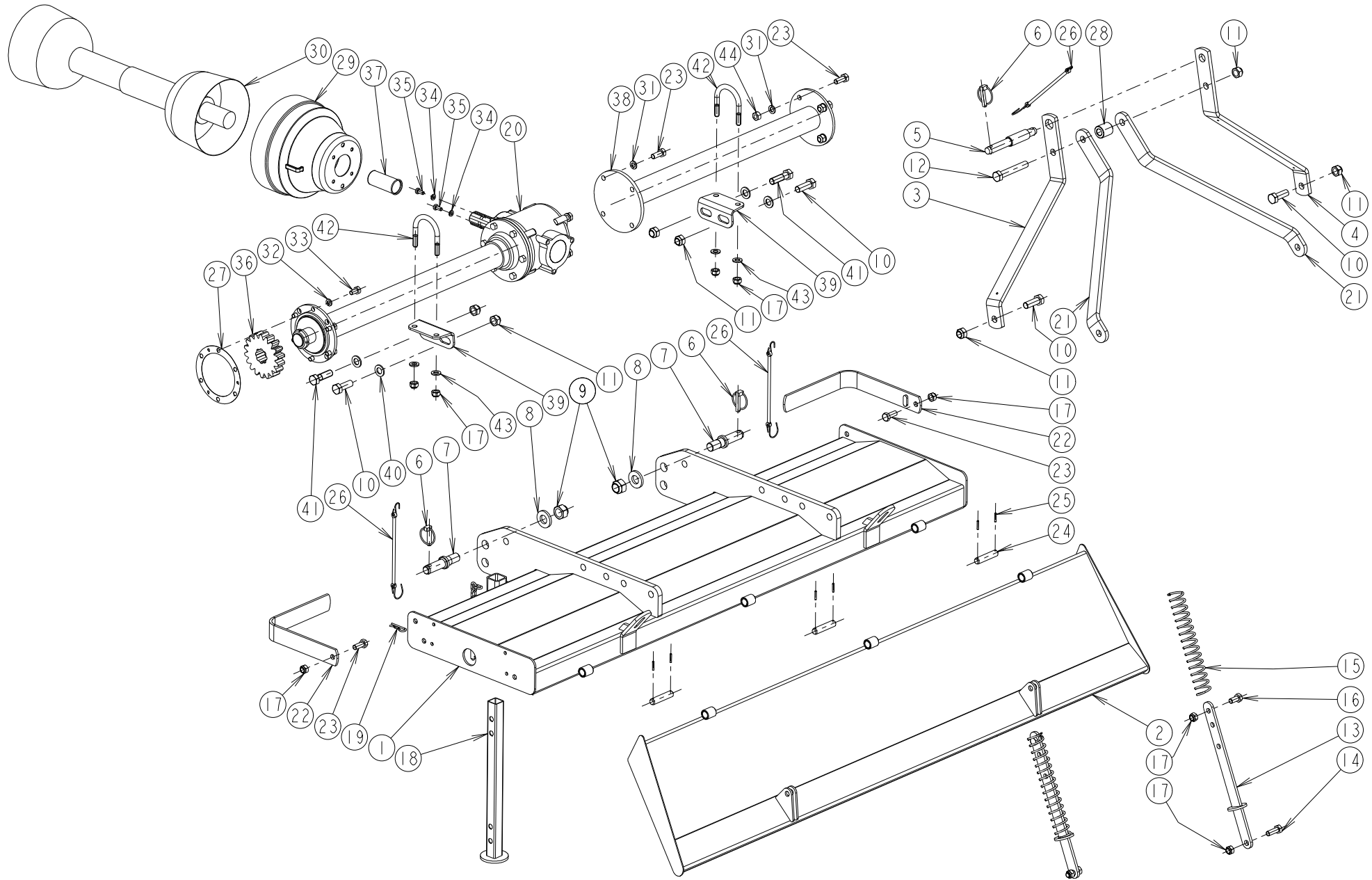
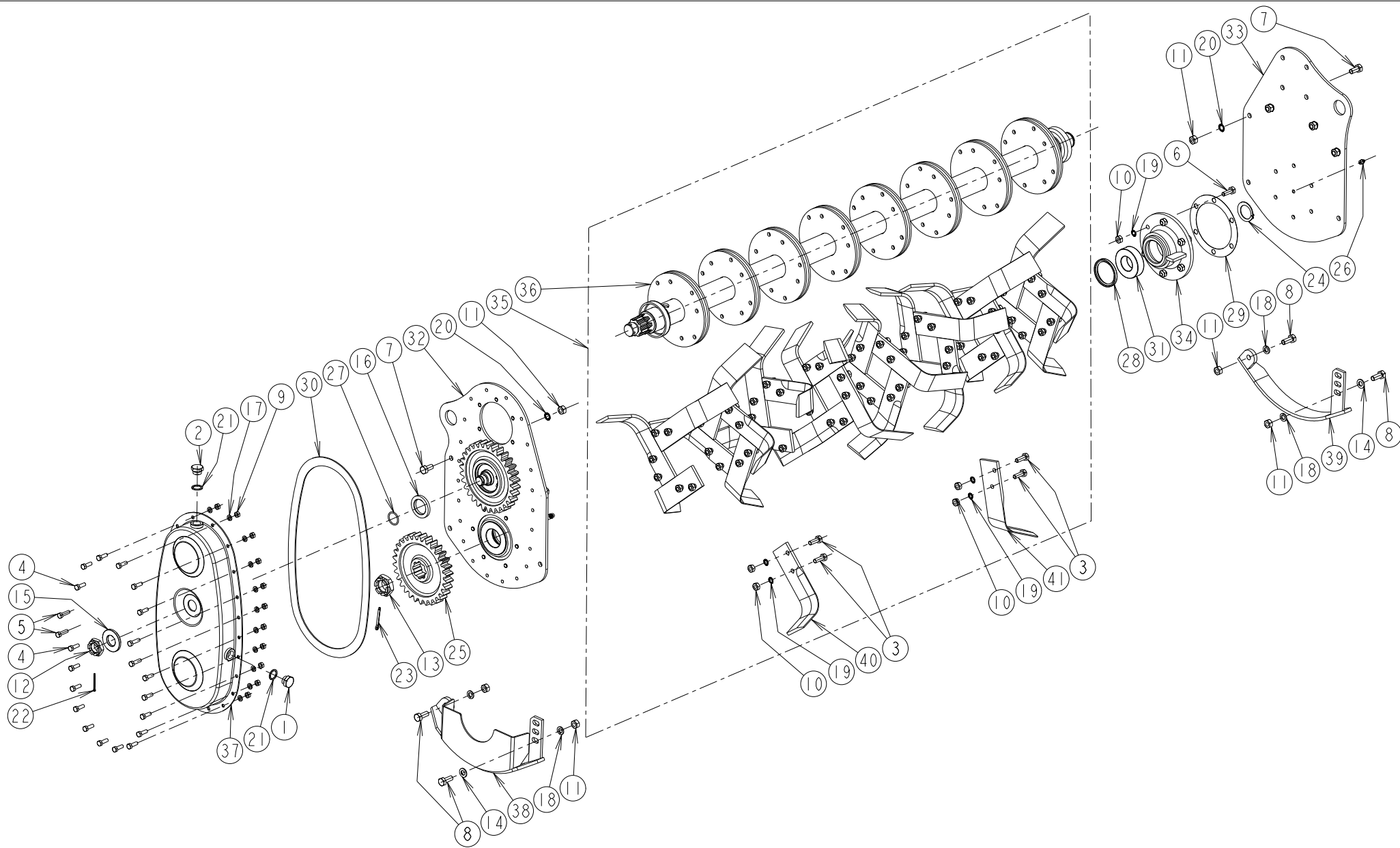


Fig. Ref. N°	Referência CodeCodigo	Quantidade/Alfaia Quantité/Machine Quantity/Implement	Descrição	Designation	Description
		FPL 1500			
1	231040014A1	1	CONJ. DA CAPOTA 1500	CAPOT 1500	SHIELD 1500
2	231040052A1	1	AVENTAL 1500 CONJ.	COUVERCLE ARRIÈRE 1500	FLAP 1500
3	231030020A1	1	BARRA DO 3º PONTO ESQ	3ª POINT, GAUCHE	3º POINT BAR, LEFT
4	231030010A1	1	BARRA DO 3º PONTO DRT	3ª POINT, DROITE	3º POINT BAR, RIGHT
5	913121901	1	MUNHÃO CAVILHA 19x18.5/19x68.5	AXE D'ATTELAGE DOUBLE	DOUBLE LINK PIN
6	913212110	3	CAVILHA DE ELO Ø 11	GOUPILLE À ANNEAU ROBOTANT	LINCH PIN
7	913111901	2	MUNHÃO 22x52/M22	AXE D'ATTELAGE	HITCH PIN
8	903012376	2	ANILHA REF Ø23x45x6 ZN	RONDELLE	FLAT WASHER
9	911150220	2	PORCA S AUTOBL M22 ZN	ÉCROU INDESSERRABLE M22 ZN	SELF LOCKING NUT M22 ZN
10	910111645	4	PARAF. CS RT 8.8 M16x45	VIS HEXAGONAL	HEXAGONAL SCREW
11	911150160	7	PORCA S AUTOBL M16 ZN	ÉCROU INDESSERRABLE M16 ZN	SELF LOCKING NUT M16 ZN
12	910101670	1	PARAF. CS 8.8 M16x100	VIS HEXAGONAL	HEXAGONAL SCREW
13	231030140A1	2	CONJ BARRA DE REGULAÇÃO	BARRE DE RÉGLAGE	ADJUSTING BAR
14	910111235	2	PARAF. CS RT 8.8 M12x35	VIS HEXAGONAL	HEXAGONAL SCREW
15	920014003A1	2	MOLA 4x33x270 COMPRESSÃO	RESSORT DE COMPRESSION	COMPRESSION SPRING
16	910111225	2	PARAF. CS RT 8.8 M12x25	VIS HEXAGONAL	HEXAGONAL SCREW
17	911150120	10	PORCA S AUTOBL M12 ZN	ÉCROU INDESSERRABLE M12 ZN	SELF LOCKING NUT M12 ZN
18	231030050A1	1	CONJ. TUBO DESCANSO	REPOS	RESTING LEG
19	913200036	1	CAVILHA BETA Ø 3.5	GOUPILLE EN "R" 3.5	HAIR PIN COTTER 3.5
20	918118010A1	1	Cx. Red. 1Vel. 1.46/1 926181410	RÉDUCTEUR 1.46/1 261.813	REDUCTION GEAR 1.46/1 261.813
21	231030813A1	2	BRAÇO DE ESTABILIZAÇÃO	ATTACHE SUPÉRIEURE	PROP
22	231030681	2	BARRA PROT. C/ BATENTE	BARRE DE PROTECTION	PROTECTION BAR
23	910111230	10	PARAF. CS RT 8.8 M12x30	VIS HEXAGONAL	HEXAGONAL SCREW
24	913171602	3	CAV. S/ CABEÇA Ø 16x62	GOUPILLE 16x62	PIN 16x62
25	913010424	6	CAV. ELAST 4x24	GOUPILLE ÉLASTIQUE	TENSION PIN
26	972520590	3	SUPORTE DE CAVILHAS	SUPPORT DE GOUPILLE	PIN HOLDER
27	932301365	1	JUNTA CIRC. 136x0,4 C/6+3 FUROS	JOINT PLAT 136x0.4 6+3	ROUND GASKET 136x0.4 6+3
28	912112135	1	CASQUILHO Ø17X35	BAGUE	BUSHING
29	932438021	1	PROTEÇÃO DE PLÁSTICO	PROTECTION DE PLASTIQUE	PLASTIC PROTECTION
30	918010575I	1	TRANSM. CARDAN 505X750 C/LC	TRANSMISSION À CARDANS	P.T.O. DRIVE SHAFT
31	912020120	8	ANILHA MOLA 12 ZN	RONDELLE ÉLASTIQUE 12	SPRING WASHER 12
32	912020100	6	ANILHA MOLA 10 ZN	RONDELLE ÉLASTIQUE 10	SPRING WASHER 10
33	910111020	6	PARAF. CS RT 8.8 M10x20	VIS HEXAGONAL	HEXAGONAL SCREW
34	912020080	2	ANILHA MOLA 8 ZN	RONDELLE ÉLASTIQUE 8	SPRING WASHER 8
35	910110816	2	PARAF. CS RT 8.8 M8x16	VIS HEXAGONAL	HEXAGONAL SCREW
36	918196120	1	ROD.DENT.MAND.M6 Z18 DP108FPL	PIGNON M6 Z18 DP108 FPL	Pinion, Main M6 Z18 DP108 FPL
37	918100620	1	TAMPÃO PROTECTOR n 35	BOUCHON	CAP
38	231040204A1	1	CONJ. BAINHA DRT. FPL-1500	MANCHON DROITE FPL-1500	RIGHT AXLE TUBE FPL-1500
39	231031021A1	2	CH. APERTO BRAÇ. VERSÃO 2	PLAQUE DE SERRAGE V.2	TIGHTENING PLATE V.2
40	912000180	4	ANILHA 17-M16	RONDELLE 17-M16	FLAT WASHER 17-M16
41	910101652	2	PARAF. CS 8.8 M16x55	VIS HEXAGONAL	HEXAGONAL SCREW
42	915021207	2	BRAC. CIRCULAR M12X76X92	ENTRIER EN U M12X76X92	U-BOLT M12X76X92
43	912000140	4	ANILHA 13-M12	RONDELLE 13-M12	FLAT WASHER 13-M12
44	911118120	4	PORCA SEXT. 8 M12	ÉCROU HEXAGONAL M12	HEXAGONAL NUT M12



Exec. FIGUEIREDO	Verif.	Alter.
Data 05-Abr-16	Data	Data

FPL-1500
TRANSMISSION/ ROTOR

Série	FPL
Cód.	23104CP03

Fig. Ref. N°	Referência Code Codigo	Quantidade/Alfaia Quantité/Machine Quantity/Implement	Descrição	Designation	Description
		FPL 1500			
1	231110250	1	BUJÃO DE NIVEL	JAUGE D'HUILLE	CAP DIPSTICK
2	231110260	1	TAMPÃO C/ RESPIRADOR	BOUCHON AVEC AÉRATEUR	CAP WITH BREATHER
3	910108030	64	PARAF. CS 8.8 M10x30-18	VIS HEXAGONAL	HEXAGONAL SCREW
4	910110825	18	PARAF. CS RT 8.8 M8x25	VIS HEXAGONAL	HEXAGONAL SCREW
5	910110830	4	PARAF. CS RT 8.8 M8x30	VIS HEXAGONAL	HEXAGONAL SCREW
6	910111030	6	PARAF. CS RT 8.8 M10x30	VIS HEXAGONAL	HEXAGONAL SCREW
7	910111225	6	PARAF. CS RT 8.8 M12x25	VIS HEXAGONAL	HEXAGONAL SCREW
8	910111230	4	PARAF. CS RT 8.8 M12x30	VIS HEXAGONAL	HEXAGONAL SCREW
9	911118080	22	PORCA SEXT. 8 M8	ÉCROU HEXAGONAL M8	HEXAGONAL NUT M8
10	911118100	70	PORCA SEXT. 8 M10	ÉCROU HEXAGONAL M10	HEXAGONAL NUT M10
11	911118120	10	PORCA SEXT. 8 M12	ÉCROU HEXAGONAL M12	HEXAGONAL NUT M12
12	911131272	1	PORCA M27x2 CAST. REB. CI.8	ÉCROU CRENELÉ M27x2 CI.8	SLOTTED NUT M27x2 CI.8
13	911131332	1	PORCA M33x2-20 CAST. REB. CI.8	ÉCROU CRENELÉ M33x2-20 CI.8	SLOTTED NUT M33x2-20 CI.8
14	912000140	2	ANILHA 13-M12	RONDELLE 13-M12	FLAT WASHER 13-M12
15	912013006	1	ANILHA REF Ø30x60x7	RONDELLE	FLAT WASHER
16	912014008	1	ANILHA REF Ø40.5x60x7	RONDELLE	FLAT WASHER
17	912020080	22	ANILHA MOLA 8 ZN	RONDELLE ÉLASTIQUE 8	SPRING WASHER 8
18	912020120	4	ANILHA MOLA 12 ZN	RONDELLE ÉLASTIQUE 12	SPRING WASHER 12
19	912040106	70	ANILHA RECART 10,5 NORMAL	RONDELLE CRENELÉE 10,5	SLOTTED WASHER 10,5
20	912040125	6	ANILHA RECART 12,5 NORMAL	RONDELLE CRENELÉE 12,5	SLOTTED WASHER 12,5
21	912062202	2	ANILHA 22x28x2 DE VEDAÇÃO	RONDELLE D'ETANCHEITÉ 22x28x2	SEALING WASHER 22x28x2
22	913224040	1	TROÇO EM AÇO 4x40 DIN94	GOUPILLE FENDUE 4x40 DIN94	SPLIT COTTER PIN 4x40 DIN94
23	913225050	1	TROÇO EM AÇO 5x50 DIN 94	GOUPILLE FENDUE 5x50 DIN 94	SPLIT COTTER PIN 5x50 DIN 94
24	914000400	1	FREIO EXT 40 DIN 471	CIRCLIP EXT	EXT CIRCLIP
25	918196130	1	ROD.DENT.MAND.M6 Z30 DP180 FPL	PIGNON M6 Z30 DP180 FPL	PINTON POWER M6 Z30 DP180 FPL
26	930001101	1	LUBRIFICADOR M10x1 RECTO	GRAISEUR	GREASE NIPPLE
27	932003030	1	O'RING 3x30 90 SHORE A	JOINT TORIQUE	O'RING
28	932206018	1	RETENTOR 60x75x8	JOINT	RETAINER
29	932301464	1	JUNTA CIRCUL 146x0,4	JOINT PLAT 146x0,4	ROUND GASKET 146x0,4
30	932312030	1	JUNTA 287x557	JOINT 287x557	GASKET 287x557
31	950242080	1	ROL 4208 RADIAL DUPLO	ROULEMENT À BILLES 4208	BALL BEARING 4208
32	231030502A1	1	CONJ. LATERAL ESQ FPL	SUPPORT LATERAL GAUCHE	SIDE SUPPORT, LEFT
33	231030833A1	1	CONJ SUPT LAT DRT	SUOORT LATERAL DROIT	SIDE SUPPORT, RIGHT
34	231030840A1	1	CONJ. CUBO DRT.	Moyeu Droite	Right Hub, Set
35	231040100A1	1	ROLO C/ FLANGES 1500 CONJ.	ROTOR 1500 ASSM.	ROTOR 1500 ASSM.
36	231040110A1	1	ROLO C/ FLANGES 1500	ROTOR 1500 ASSM.	ROTOR 1500 ASSM.
37	231110520A1	1	TAMPA DA TRANSMISSÃO	CARTER	TRANSMISSION CAP
38	231410311A1	1	PATIM ESQ CONJ.	PATIN, GAUCHE	SKID, LEFT
39	231410331A1	1	PATIM DRT CONJ.	PATIN, DROIT	SKID, RIGHT
40	811210410A1	16	FACA LS3 ESQ (04)	LAME L Droite	L BLADE Right
41	811210420A1	16	FACA L, DRT (01)	LAME L Droite	L BLADE Right


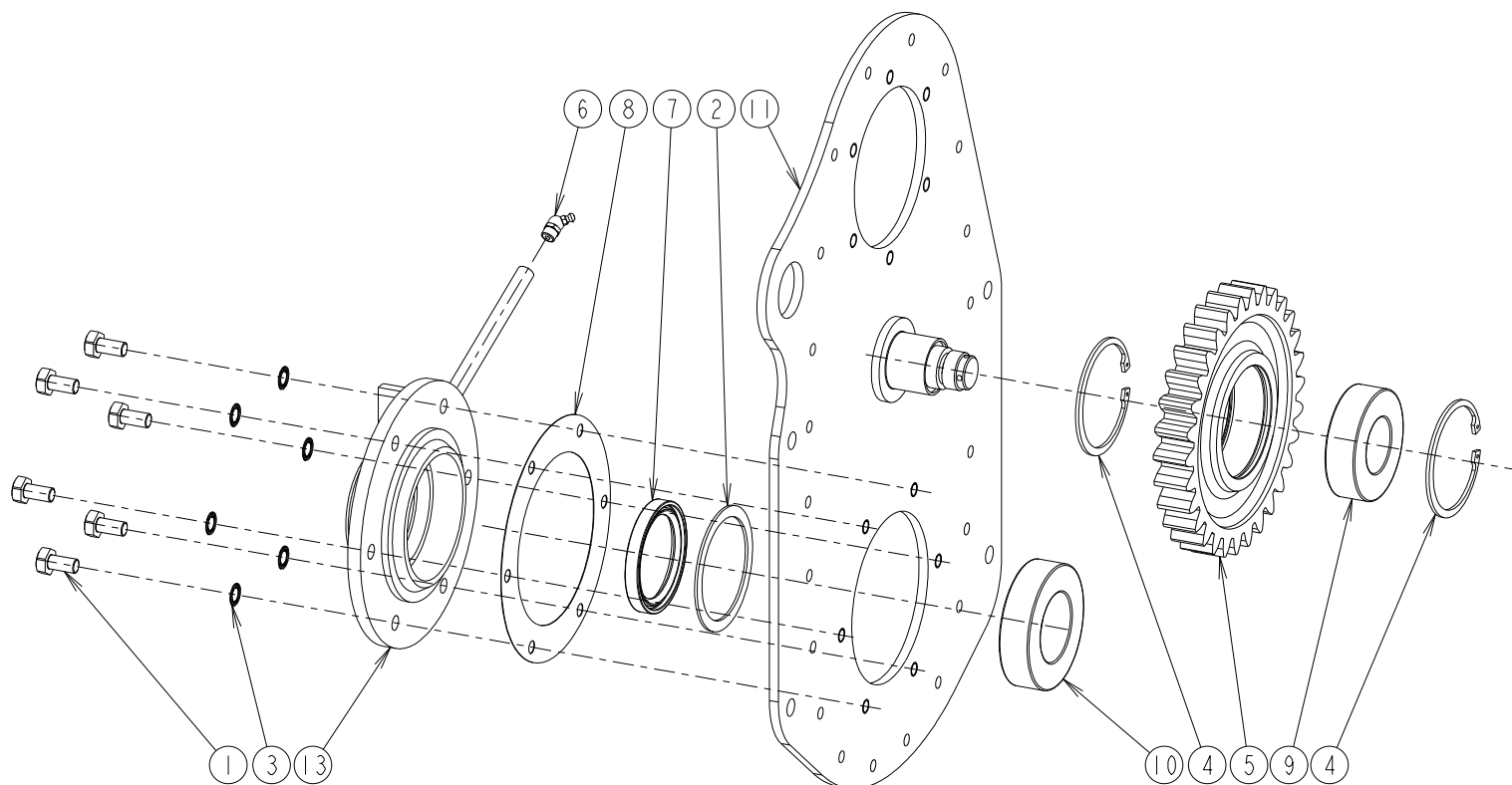
 INDÚSTRIAS METALOMECÂNICAS, S.A. S. JOÃO DAS LAMPAS - PORTUGAL	Exec. FIGUEIREDO	Verif.	Alter.	FPL-1500 TRANSMISSION/ ROTOR	Série	FPL
	Data 05-Abr-16	Data	Data		Cód. 23104CP04	

Fig. Ref. N°	Referência Code Codigo	Quantidade/Alfaia Quantité/Machine Quantity/Implement	Descrição	Designation	Description
		FPL 1500			
1	910111020	6	PARAF. CS RT 8.8 M10x20	VIS HEXAGONAL	HEXAGONAL SCREW
2	912017402	1	ANILHA REF Ø74/89.5x2	RONDELLE	FLAT WASHER
3	912040106	6	ANILHA RECARTE 10,5 NORMAL	RONDELLE CRENELÉE 10,5	SLOTTED WASHER 10,5
4	914200800	2	FREIO INT 80 DIN 472	CIRCLIP INT. 80 DIN472	INT. CIRCLIP 80 DIN472
5	918196140	1	RODA DENTADA INTER. M6 Z30DP180FPL	PIGNON	PINION MAIN
6	930004101	1	LUBRIFICADOR M10x1 CURVO 45°	GRAISSEUR 45°	GREASE NIPPLE 45°
7	932190030	1	RETENTOR ESP. 60x80x10 DUPLO	JOINT 60x80x10 D	RETAINER 60x75x8 D
8	932301564	1	JUNTA CIRCULAR 156x0,4	JOINT PLAT 156x0,4	ROUND GASKET 156x0,4
9	950242080	1	ROL 4208 RADIAL DUPLO	ROULEMENT À BILLES 4208	BALL BEARING 4208
10	950242100	1	ROL. 4210 RADIAL DUPLO	ROULEMENT À BILLES 4210	BALL BEARING 4210
11	231030502A1	1	CONJ. LATERAL ESQ FPL	SUPPORT LATERAL GAUCHE	SIDE SUPPORT, LEFT
12	231030512A1	1	SUPT. LATERAL ESQ. CONJ.	SUPPORT LATERAL GAUCHE	SIDE SUPPORT, LEFT
13	231030541A1	1	CUBO ESQ. CONJ.	MOYEU GAUCHE	LEFT HUB, SET



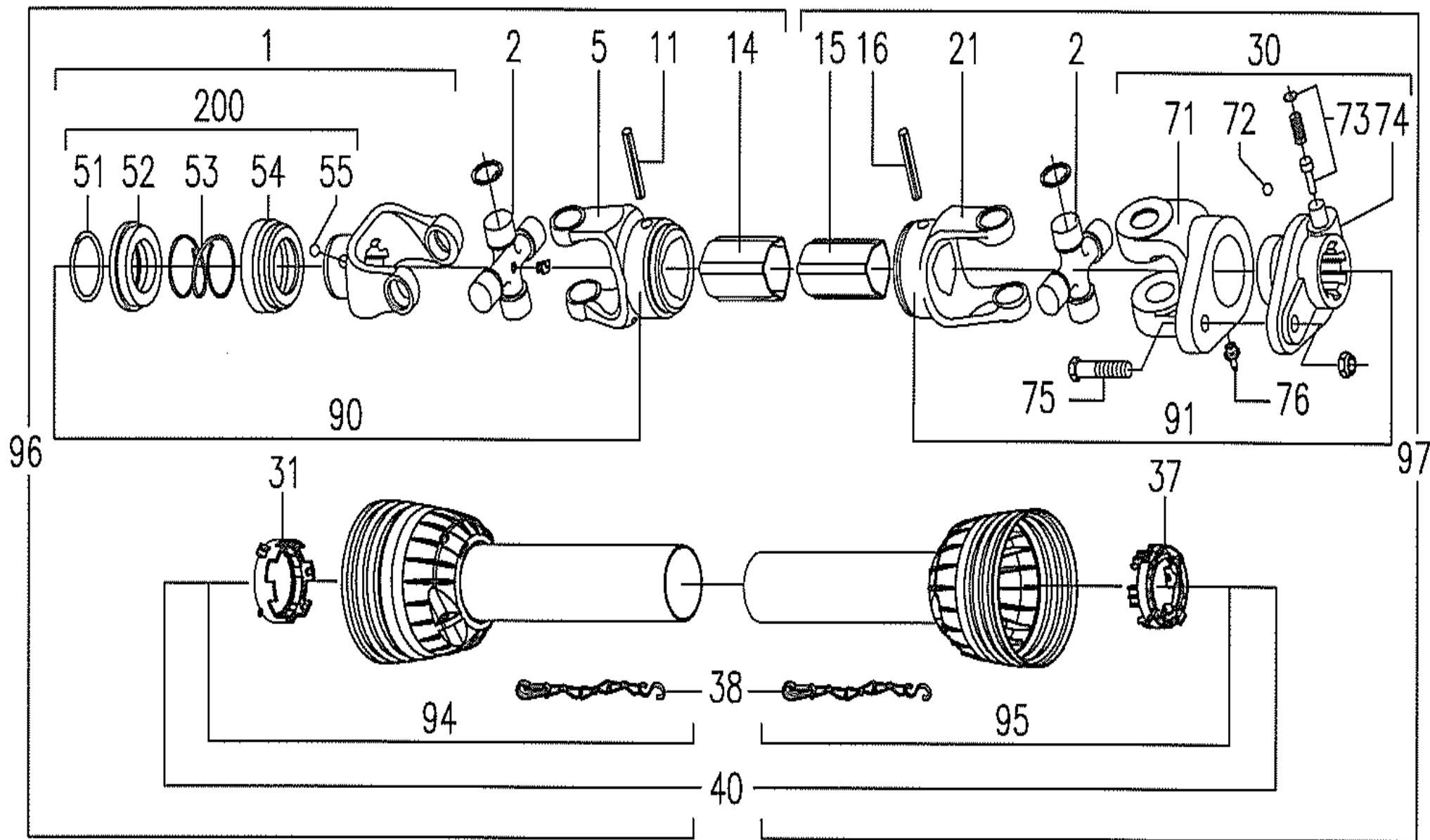


Fig. Ref. N°	Referência Code Codigo	Quantidade/Alfaia Quantité/Machine Quantity/Implement	Descrição	Designation	Description
		FPL-1500			
1	IAJ141025363	1	FORQUILHA C/ COLAR	FOURCHE AVEC COLLIER	COMPLETE COLLAR YOKE C12 (1 3/8" Z6)
2	IAJ180015130	2	CRUZETA	CROISSETTE	CROSS JOURNAL SET
5	IAJ151015011	1	FORQUILHA DO TUBO EXT.	FOURCHE TUBE EXT.	OUTER YOKE
11	IAJ190000016	1	CAVILHA ELÁSTICA TUBO EXT.	GOUPILLE ÉLASTIQUE	ROLL PIN FOR OUTER TUBE
14	AJ1521503440730	1	TUBO EXTERIOR	TUBE EXTÉRIEUR	OUTER TUBE
15	IAJ159160780	1	TUBO INTERIOR	TUBE INTÉRIEUR	INNER TUBE
16	IAJ190000394	1	CAVILHA ELÁSTICA TUBO INT.	GOUPILLE ÉLASTIQUE	ROLL PIN FOR INNER TUBE
21	IAJ151015012	1	FORQUILHA DO TUBO INT.	FOURCHE TUBE INT.	INNER YOKE
30	IAJ143250001	1	CONJ. FUSÍVEL COMPLETO	ENSEMBLE FUSIBLE COMPL.	COMPLETE SHEAR BOLT B02 (46xM10)
31	IAJ180015391	1	COLAR DO TUBO EXTERIOR	COLLIER TUBE EXTÉRIEUR	GUARD RETAINING COLLAR FOR OUTER TUBE
37	IAJ180015390	1	COLAR DO TUBO INTERIOR	COLLIER TUBE INTÉRIEUR	GUARD RETAINING COLLAR FOR INNER TUBE
38	IAJ180016636	2	CORRENTE DE SEGURANÇA	CHAINE DE SÛRETÉ	SAFETY CHAINS
40	AJ1423500027550	1	PROTECÇÃO COMPLETA	PROTECTION COMPLÈTE	COMPLETE GUARD WITH INSTRUCTION MANUAL
51	IAJ190000451	1	FREIO EXTERIOR	FREIN EXTÉRIEUR	OUTER CIRCLIP
52	IAJ151016486	1	COLAR DESLIZANTE	COLLIER DE GLISADE	SLIDING SLEEVE COLLAR
53	IAJ180016487	1	MOLA DO COLAR	RESSORT DE COLLIER	SPRING
54	IAJ180016483	1	COLAR FIXO	COLLIER FIXE	FIXED SLEEVE
55	IAJ190000078	3	ESFERA	SPHÈRE	BALL Ø1/2"
71	IAJ151015024	1	FORQUILHA	FOURCHE	YOKE FOR B02 (46xM10)
72	IAJ190000022	23	ESFERA	SPHÈRE	BALL Ø1/4"
73	IAJ1660260004	1	CAVILHA DE APERTO	GOUPILLE DE SERRAGE	PUSH PIN SET 1 3/8"
74	IAJ141025025	1	CUBO	MOYEU	HUB B02 (46xM10) (1 3/8" Z6)
75	IAJ165000511	6	PARAFUSO M10x55	VIS M10x55	BOLT M10x55 & NUT
76	IAJ190000020	1	COPO DE LIBRIFICAÇÃO M8x1	GRAISSEUR M8x1	GREASE FITTING M8x1
90	IAJ12102572810	1	CONJ. CARDAN EXT.	ENSEMBLE CARDAN EXT.	U JOINT FOR OUTER TUBE
91	IAJ12102572710	1	CONJ. CARDAN INT.	ENSEMBLE CARDAN INT.	U JOINT FOR INNER TUBE
94	AJ1423560027550	1	PROTECÇÃO INTERIOR	PROTECTION INT.	HALF FEMALE GUARD
95	AJ1423570027550	1	PROTECÇÃO EXTERIOR	PROTECTION EXT.	HALF MALE GUARD
96	IAJ12355001510	1	CARDAN C/ PROTECÇÃO INT.	CARDAN AVEC PROTECTION INT.	HALF FEMALE SHAFT WITH GUARDING
97	IAJ12365003010	1	CARDAN C/ PROTECÇÃO EXT.	CARDAN AVEC PROTECTION EXT.	HALF MALE SHAFT WITH GUARDING
200	IAJ165000628	1	KIT DO COLAR 1 3/8"	KIT COLLIER	KIT COLLAR 1 3/8"

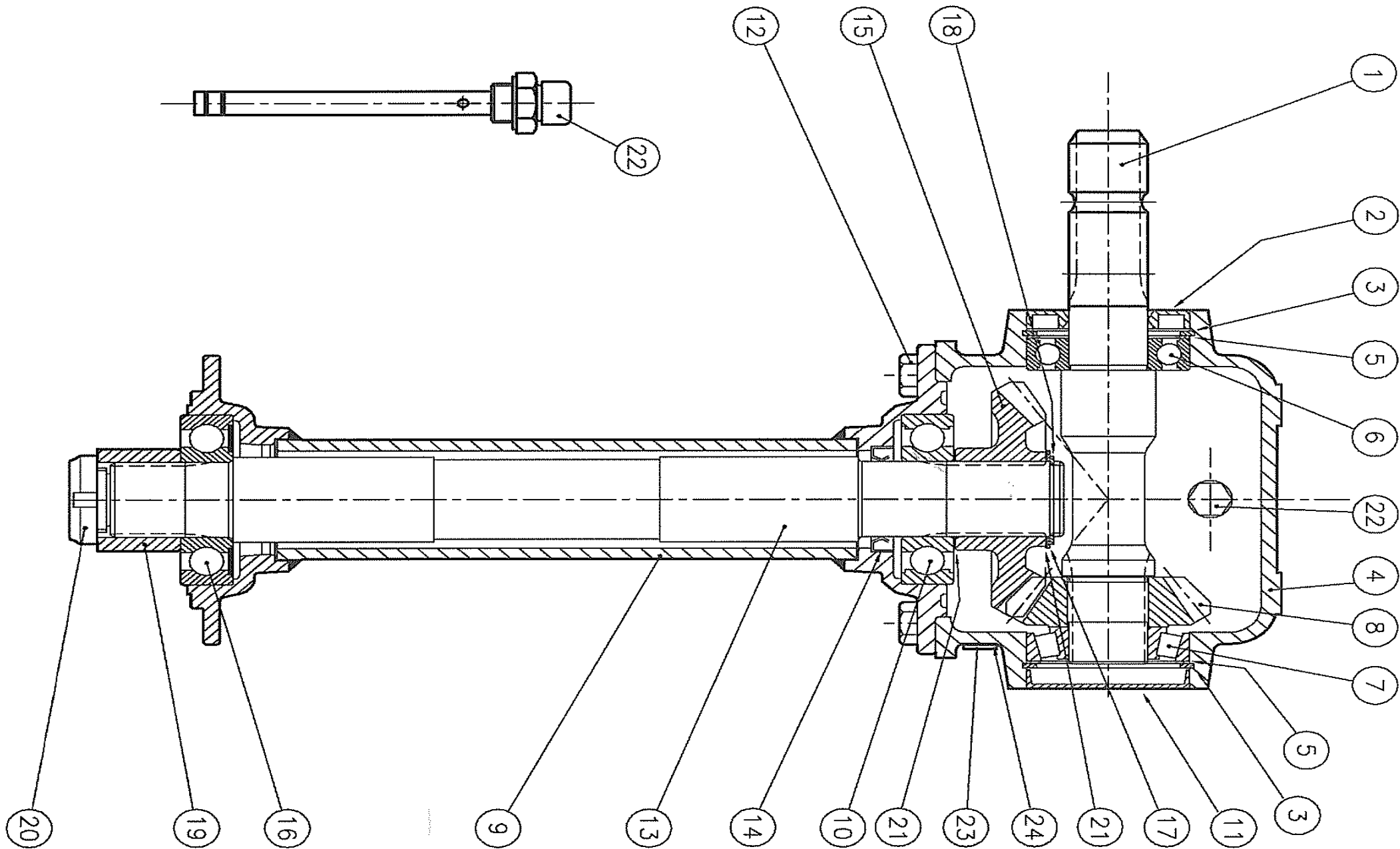


Fig. Ref. N°	Referência Code Codigo	Quantidade/Alfaia Quantité/Machine Quantity/Implement	Descrição	Designation	Description
		FPL-1500			
1	0.261.2201.00	1	VEIO DE ENTRADA	AXE DE TRANSMISSION	INPUT SHAFT 1 3/8" Z6
2	8.7.3.00055	1	VEDANTE 35x72x10	JOINT 35x72x10	OIL SEAL (35x72x10)
3	8.5.2.01071	2	ANILHA DE SEGURANÇA	RONDELLE	SNAP RING (72x75x3, FOR HOLES)
4	0.261.0702.00	1	CORPO DA CX. REDUTORA	ENGRENAGE DE RÉDUCTION	HOUSING
5	0.248.7500.00	2	ANILHA DE ENCHIMENTO	RONDELLE	SHIM KIT (60,3x71,7)
6	8.0.1.00870	1	ROLAMENTO DE ESFERAS 6207	ROULEMENT	BALL BEARING 6207
7	8.0.9.00026	1	ROLAMENTO DE ROLOS 30207	ROULEMENT	ROLLER BEARING 30207
8	0.261.5201.00	1	PINHÃO	PIGNON D' ATTAQUE	PINION Z15 M5.7
9	2.261.1727.00	1	BAINHA L900	MANCHON L900	EXTENSION L.900
10	8.0.1.00050	1	ROLAMENTO DE ESFERAS 6308	ROULEMENT	BALL BEARING 6308
11	8.7.0.00744	1	BUJÃO DE ÓLEO	BOUCHON	OIL CAP (72x10)
12	8.1.1.00501	6	PARAF. M10x22	VIS HEX. M10x22	BOLT M10x22 HHB (8.8)
13	0.261.3713.00	1	VEIO DE POTÊNCIA (COMP.900)	ARBRE DU PIGNON L900	OUTPUT SHAFT L.900
14	8.7.3.00603	1	VEDANTE 40x62x7	JOINT 40x62x7	OIL SEAL (40x62x7)
15	0.121.6001.00	1	RODA DE COROA Z22	GRAND COURONNE	GEAR CROWN Z22 M5.7
16	8.0.1.00552	1	ROLAMENTO 6308	ROULEMENT	BALL BEARING 6308
17	0.457.7510.00	1	ANILHA DE ENCHIMENTO 40,3x46,7x1	RONDELLE	SHIM (40,3x46,7x2,5)
18	8.5.1.00680	1	ANILHA DE SEGURANÇA	RONDELLE	SNAP RING (40x37,5x2,5)
19	0.261.7101.00	1	CASQ. ESPAÇAMENTO Ø40,5x51x36,5	BAGUE Ø60,5x51x36,5	SPACER (40,5x51x36,5)
20	8.2.6.00294	1	PORCA AUTOBLOCANTE M35	ÉCROU INDESSERABLE M35	SELF-LOCKING NUT M35x1,5
21	0.457.7500.00	2	ANILHA DE ENCHIMENTO 40,3x46,7	RONDELLE	SHIM KIT (40,3x46,7)
22	0.195.7101.00	1	TAMPÃO C/ VARETA NÍVEL	JAUGE D'HUILLE	3/8" GAS OIL BREATHER PLUG DIPSTICK
23	8.6.6.01702	1	BUJÃO DE NÍVEL 1/4"	BOUCHON 1/4"	OIL DRAIN PLUG 1/4" GAS
24	8.3.0.02248	1	ANILHA DE MOLA	RONDELLE ÉLASTIQUE (13.6x19x1,5)	SPRING WASHER (13.6x19x1.5)
25	0.124.7135.00	1	CHAPA DE REFERÊNCIA	PLAQUE DE REFERENCE	NAME PLATE

Fig. Ref. N°	Referência Code Codigo	Quantidade/Alfaia Quantité/Machine Quantity/Implement	Descrição	Designation	Description
		FPL 1500			
1	990150027	1	ETIQ.PREV.AFAST.80M/PROJ.OBJE	ETIQUETTE DE PREVENTION	SAFETY STIKER
2	990150008	1	ETIQ.PREV.PERIG.VAR./CONS.MANU	ETIQUETTE DE PREVENTION	SAFETY STICKER
3	990150003	1	ETIQ.PREV.CORTE FR./NÃO APR.F.	ETIQUETTE DE PREVENTION	SAFETY STICKER
4	990141220	2	ETIQ. PONTO P/ LUBRIFICAÇÃO	ETIQUETTE LUBRIF.	LUBRIF. STICKER
5	990216710	2	AUTOC. GANCHO	AUTOC. CROCHET	HOOK STICKER
6	990217615	1	AUTOC MF DRT 60x690	AUTOCOLLANT DROIT MF	RIGHT STICKER MF
7	990217610	1	AUTOC MF ESQ 60x690	AUTOCOLLANT GAUCHE MF	LEFT STICKER MF

