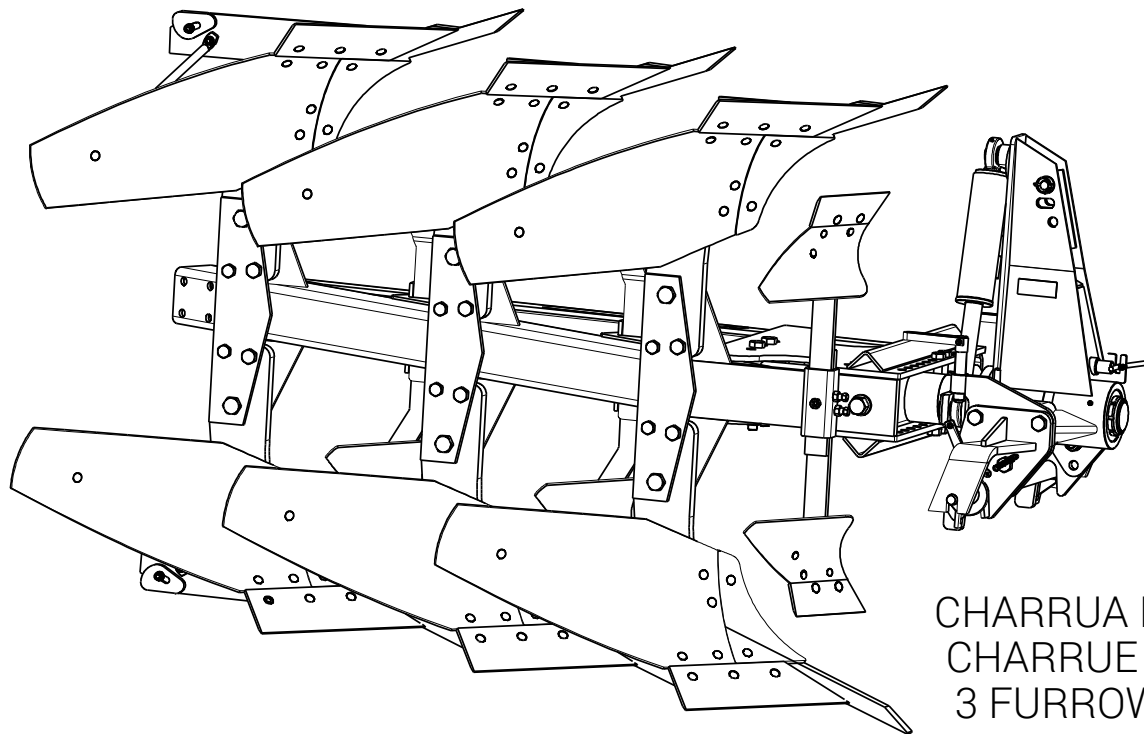




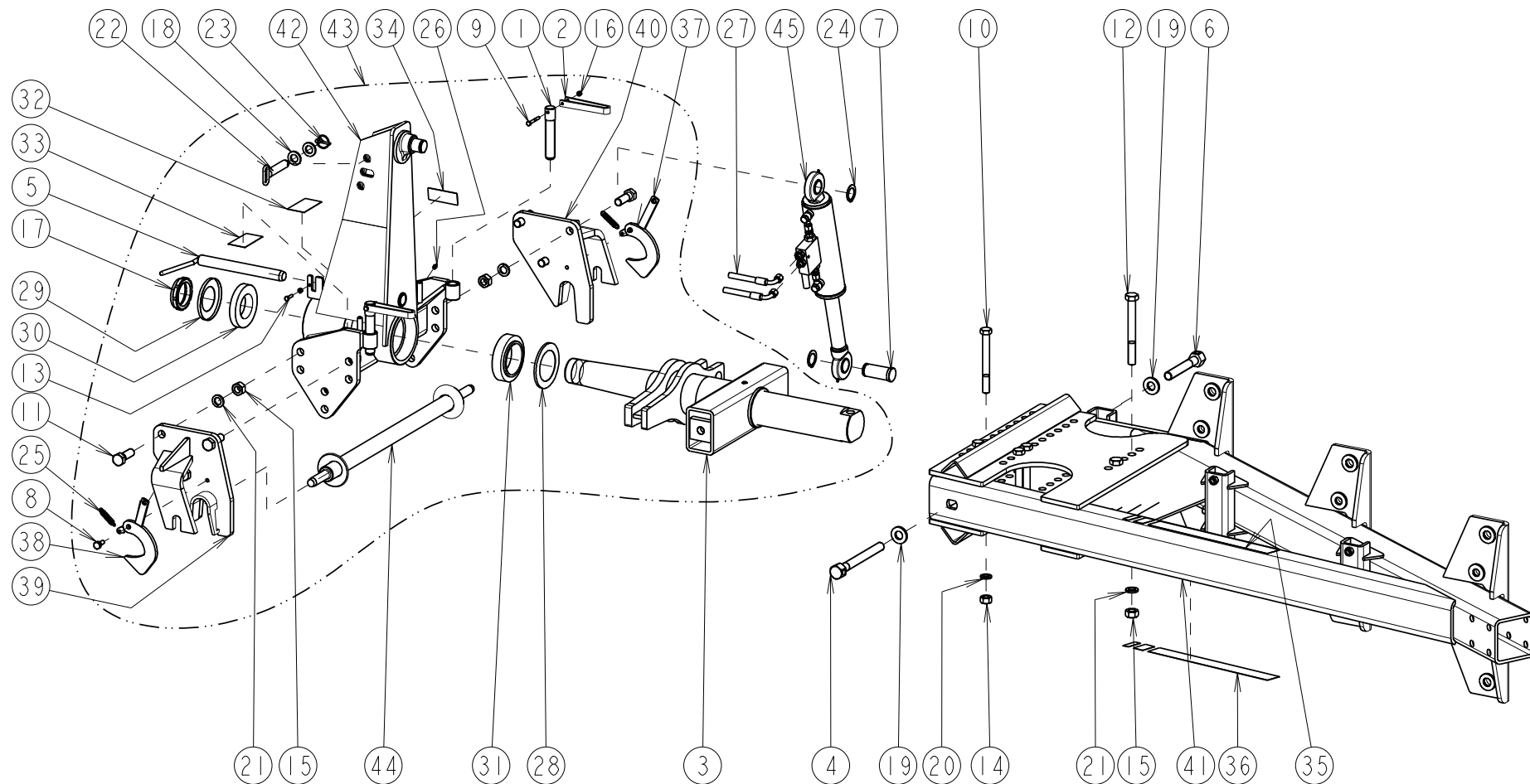
**CATÁLOGO DE PEÇAS  
LISTE DE PIÈCES DE RECHANGE  
SPARE PART'S LIST**

***GALUCHO***



CH3/4-14H3

CHARRUA DE 3 FERROS, REVERSÃO HIDRÁULICA  
CHARRUE À 3 SOCS, REVERSION HYDRAULIQUE  
3 FURROW HYDRAULIC REVERSIBLE PLOUGHS




|       |            |        |        |
|-------|------------|--------|--------|
| Exec. | VAlexandre | Verif. | Alter. |
| Data  | 14-03-16   | Data   | Data   |

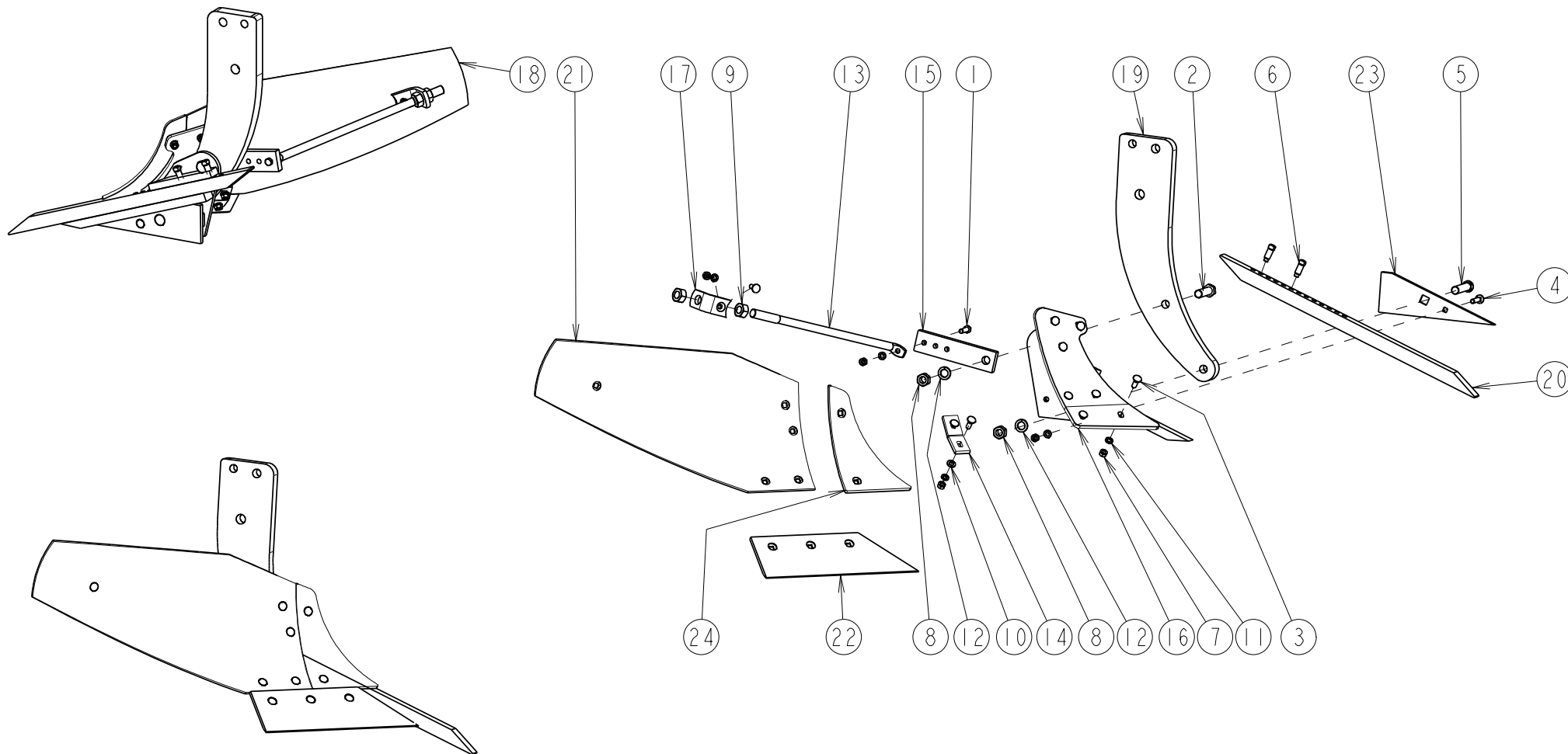
**CH3/4-14H3 CH HID 3F**  
**PLOUGH CH3/4-14H3**

|       |             |
|-------|-------------|
| Série | CH3/4-H     |
| Cód.  | 21201A1CP01 |


| Fig. Ref. N° | Referência Code Codigo | Quantidade/Alfaia<br>Quantité/Machine<br>Quantity/Implement | Descrição                        | Designation                  | Description            |
|--------------|------------------------|---|----------------------------------|------------------------------|------------------------|
|              |                        | CH3/4-14H3  |                                  |                              |                        |
| 1            | 211630540              | 2   | FUSO M30x175                     | MANCHON                      | STOP TURNBUCKLE        |
| 2            | 211630550              | 2   | BRAÇO DO FUSO                    | MANIVELLE                    | STOP BRACELET          |
| 3            | 212010131              | 1   | Conj Afinação Compl c/Veio       | SET DE L'AJUSTEMENT          | SET OF ADJUSTMENT      |
| 4            | 212010260              | 1   | PARAF DE AFINAÇÃO 14"H/16"H      | MANCHON REGLAGE              | ADJUSTMENT TURNBUCKLE  |
| 5            | 212010310              | 1   | CAVILHA DE FIXAÇÃO P/TRANSPORTE  | GOUPILLE DE FIXATION         | FIXING PIN             |
| 6            | 212010370              | 1   | PARAF DE AFINAÇÃO 14"H/16"H PEQ  | MANCHON REGLAGE              | ADJUSTMENT TURNBUCKLE  |
| 7            | 212410920              | 1   | CAV DE FIXAÇÃO DO CILINDRO Ø40   | BOULON                       | PIN                    |
| 8            | 900411410              | 2   | PARAF. C/ Liso 14x12.5           | VIS HEXAGONAL                | HEXAGONAL SCREW        |
| 9            | 910100854              | 2   | PARAF. CS 8.8 M8x60              | VIS HEXAGONAL                | HEXAGONAL SCREW        |
| 10           | 910102290              | 4   | PARAF. CS 8.8 M22x200            | VIS HEXAGONAL                | HEXAGONAL SCREW        |
| 11           | 910102458              | 6   | PARAF. CS 8.8 M24x70             | VIS HEXAGONAL                | HEXAGONAL SCREW        |
| 12           | 910102492              | 2   | PARAF. CS 8.8 M24x220            | VIS HEXAGONAL                | HEXAGONAL SCREW        |
| 13           | 910110830              | 1   | PARAF. CS RT 8.8 M8x30           | VIS HEXAGONAL                | HEXAGONAL SCREW        |
| 14           | 911118220              | 4   | PORCA SEXT. 8 M22                | ÉCROU HEXAGONAL M22          | HEXAGONAL NUT M22      |
| 15           | 911118240              | 8   | PORCA SEXT. 8 M24                | ÉCROU HEXAGONAL M24          | HEXAGONAL NUT M24      |
| 16           | 911150080              | 3   | PORCA S AUTOBL M8 ZN             | ÉCROU INDESSERRABLE M8 ZN    | SELF LOCKING NUT M8 ZN |
| 17           | 911178020              | 1   | PORCA RANHUR AUTOBL M80x2        | ECROU RAINURE                | SLOTTED NUT            |
| 18           | 912012615              | 2   | ANILHA REF Ø26x45x5              | RONDELLE                     | FLAT WASHER            |
| 19           | 912012807              | 2   | ANILHA REF Ø28x55x7              | RONDELLE                     | FLAT WASHER            |
| 20           | 912020220              | 4   | ANILHA MOLA 22 ZN                | RONDELLE ÉLASTIQUE 22        | SPRING WASHER 22       |
| 21           | 912020240              | 8   | ANILHA MOLA 24 ZN                | RONDELLE ÉLASTIQUE 24        | SPRING WASHER 24       |
| 22           | 913182601              | 1   | CAV. C/ARGOLA Ø25x102            | GOUPILLE                     | LINCH PIN              |
| 23           | 913211060              | 1   | CAVILHA DE ELO Ø 6               | GOUPILLE Á ANNEAU ROBOTANT 6 | LINCH PIN 6            |
| 24           | 914000400              | 2   | FREIO EXT 40 DIN 471             | CIRCLIP EXT                  | EXT CIRCLIP            |
| 25           | 920112001              | 2   | MOLA TRAC 2x15x73                | RESSORT DE TRACCION          | DRAFT SPRING           |
| 26           | 930001101              | 2   | LUBRIFICADOR M10x1 RECTO         | GRAISEUR                     | GREASE NIPPLE          |
| 27           | 930309630              | 2   | MANG 3/8"x1350 C3/8F-VR          | TUYAU À HAUTE                | HIGH PRESSURE HOSE     |
| 28           | 950011004              | 1   | TAMP ROL 33020 D100 AV NILO RING | JOINT MÉTALLIQUE             | NILO' S RING           |
| 29           | 950018013              | 1   | TAMP ROL 30216 D80 AV NILO RING  | JOINT MÉTALLIQUE             | NILO' S RING           |
| 30           | 951330216              | 1   | ROL. 30216 CÓNICO                | ROULEMENT                    | BEARING                |
| 31           | 951333020              | 1   | ROL. 33020 CÓNICO                | ROULEMENT                    | BEARING                |
| 32           | 990150005              | 1   | ETIQ.PREV.FORÇ.LAT.MANT.AFAS.T.  | ETIQUETTE DE PREVENTION      | SAFETY STICKER         |
| 33           | 990150008              | 1   | ETIQ.PREV.PERIG.VAR./CONS.MANU   | ETIQUETTE DE PREVENTION      | SAFETY STICKER         |
| 34           | 990200120              | 1   | CH. IDENT. AGCO MF               | PLAQUE D'IDENTIFICATION      | IDENTIFICATION PLATE   |
| 35           | 990217600              | 1   | AUTOC MF ESQ 50x576              | AUTOCOLLANT GAUCHE MF        | LEFT STICKER MF        |
| 36           | 990217605              | 1   | AUTOC MF DRT 50x576              | AUTOCOLLANT DROIT MF         | RIGHT STICKER MF       |
| 37           | 211630110A1            | 1   | FIXADOR DRT DA CAMBOTA           | FIXER VILEBREQUIN            | FIXER CRANKSHAFT       |
| 38           | 211630120A1            | 1   | FIXADOR ESQ DA CAMBOTA           | FIXER VILEBREQUIN            | FIXER CRANKSHAFT       |
| 39           | 211710440A1            | 1   | SUPT ESQ DA CAMBOTA              | SUPPORT DE VILEBREQUIN       | SUPPORT CRANKSHAFT     |
| 40           | 211710450A1            | 1   | SUPT DRT DA CAMBOTA              | SUPPORT DE VILEBREQUIN       | SUPPORT CRANKSHAFT     |

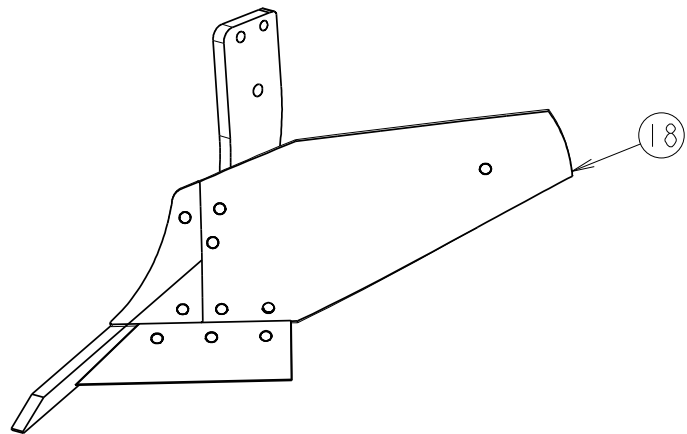
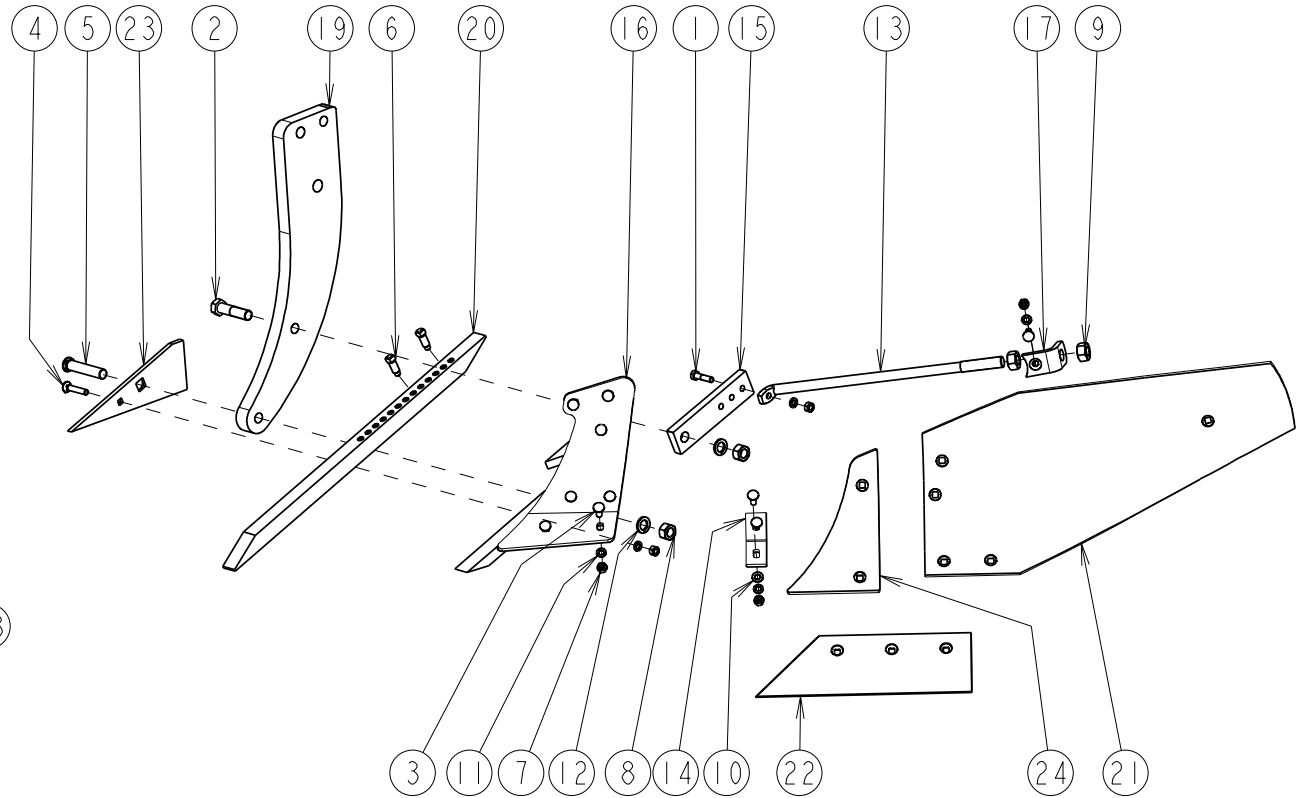
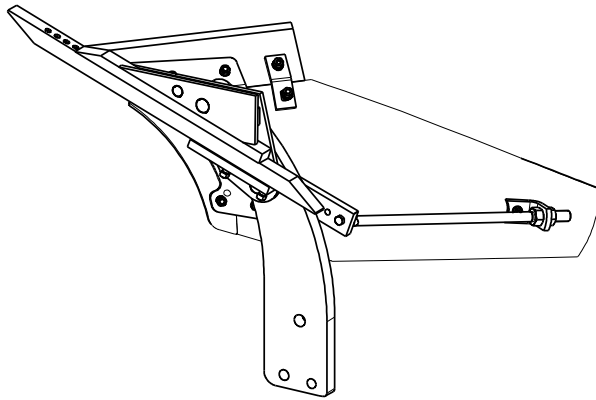
| Fig. Ref. N° | Referência Code Codigo | Quantidade/Alfaia<br>Quantité/Machine<br>Quantity/Implement | Descrição                     | Designation                 | Description                    |
|--------------|------------------------|---|-------------------------------|-----------------------------|--------------------------------|
|              |                        | CH3/4-14H3  |                               |                             |                                |
| 41           | 212010010A1            | 1   | QUADRO CH3/4-14"H             | FRAME                       | BÂTI                           |
| 42           | 212010290A1            | 1   | CABEÇOTE CH3/4-14"H           | TÊTE                        | HEADSTOCK                      |
| 43           | 212010600A1            | 1   | CONJ CABEÇ + CONJ AFIN C/VEIO | TÊTE + SET DE L'AJUSTEMENT  | HEADSTOCK + SET OF ADJUSTEMENT |
| 44           | 919250050A1            | 1   | ENGATE RÁPIDO 28x827-704      | SUPPORT DES AXES D'ATTELAGE | TRUNNION BRACKET               |
| 45           | 931010801A1            | 1   | 80G-215 CIL HIDR D E          | VÉRIN À DOUBLE EFFET        | DOUBLE-ACTING CYLINDER         |

|   |                  |        |        |   |                  |
|---|------------------|--------|--------|---|------------------|
| <br>INDÚSTRIAS METALOMECÂNICAS, S.A.<br>S. JOÃO DAS LAMPAS - PORTUGAL | Exec. VAlexandre | Verif. | Alter. | <b>CH3/4-14H3 CH HID 3F</b><br><b>PLOUGH CH3/4-14H3</b> | Série CH3/4-H    |
|   | Data 14-03-16    | Data   | Data   |   | Cód. 21201A1CP03 |




| Fig. Ref. N° | Referência Code Codigo | Quantidade/Alfaia<br>Quantité/Machine<br>Quantity/Implement | Descrição                     | Designation           | Description            |
|--------------|------------------------|---|-------------------------------|-----------------------|------------------------|
|              |                        | CH3/4-14H3  |                               |                       |                        |
| 1            | 910101250              | 1   | PARAF. CS 8.8 M12x50          | VIS HEXAGONAL         | HEXAGONAL SCREW        |
| 2            | 910102266              | 1   | PARAF. CS 8.8 M22x90          | VIS HEXAGONAL         | HEXAGONAL SCREW        |
| 3            | 910131235              | 10  | PARAF. CE AQ8.8 M12x35        | VIS À LA TÊTE PLATE   | FLAT HEAD SCREW        |
| 4            | 910131265              | 1   | PARAF. CE AQ8.8 M12x65        | VIS À LA TÊTE PLATE   | FLAT HEAD SCREW        |
| 5            | 910132288              | 1   | PARAF. CE AQ8.8 M22x115       | VIS À LA TÊTE PLATE   | FLAT HEAD SCREW        |
| 6            | 910155839              | 2   | PARAF AJUST 5/8BSWx39         | VIS                   | SQUARE SCREW           |
| 7            | 911118120              | 12  | PORCA SEXT. 8 M12             | ÉCROU HEXAGONAL M12   | HEXAGONAL NUT M12      |
| 8            | 911118220              | 2   | PORCA SEXT. 8 M22             | ÉCROU HEXAGONAL M22   | HEXAGONAL NUT M22      |
| 9            | 911118240              | 2   | PORCA SEXT. 8 M24             | ÉCROU HEXAGONAL M24   | HEXAGONAL NUT M24      |
| 10           | 912000140              | 2   | ANILHA 13-M12                 | RONDELLE 13-M12       | FLAT WASHER 13-M12     |
| 11           | 912020120              | 12  | ANILHA MOLA 12 ZN             | RONDELLE ÉLASTIQUE 12 | SPRING WASHER 12       |
| 12           | 912020220              | 2   | ANILHA MOLA 22 ZN             | RONDELLE ÉLASTIQUE 22 | SPRING WASHER 22       |
| 13           | 211110700A1            | 1   | ESCORA 575                    | ACCROCHEZ             | BRACE                  |
| 14           | 211140040A1            | 1   | TRAVESSA AIVECA-RELHA 2 FUROS | LANE                  | LANE                   |
| 15           | 211430830A1            | 1   | REGULADOR DA ESCORA           | ANCRAGE GOUVERNEUR    | GOVERNOR ANCHOR        |
| 16           | 211460140A1            | 1   | CEPO DIREITO 14"              | BLOCK DROITE          | RIGHT BLOCK            |
| 17           | 211630350A1            | 1   | SUPORTE DA ESCORA             | ENTRETOISE DE SUPPORT | SUPPORT STRUT          |
| 18           | 212010400A1            | 1   | CORPO FORMÃO CH3/4-14" DRT F  | BURIN DU CORPS        | RIGHT FRONT BODY FRAME |
| 19           | 212010480A1            | 1   | APO OU TEIRÓ CH3/4-14"H       | AGE                   | BEAM                   |
| 20           | 811114091A1            | 1   | FORMÃO DIREITO 38x850         | CISEAU                | CHISEL                 |
| 21           | 811122120A1            | 1   | AIVECA DRT 2F-14"             | VERSOIR               | MOULDBOARD             |
| 22           | 811132320A1            | 1   | RELHA DRT 2-14"-180           | SOC GAUCHE RASETTE    | RIGHT SKIMMER SHARE    |
| 23           | 811142520A1            | 1   | RASTO DIREITO F 2F-14"-180    | SUIVRE                | TRACK                  |
| 24           | 811152120A1            | 1   | RASPA DE AIVECA DRT 2F-14"    | EPAULEMENT DE VERSOIR | SHIN                   |

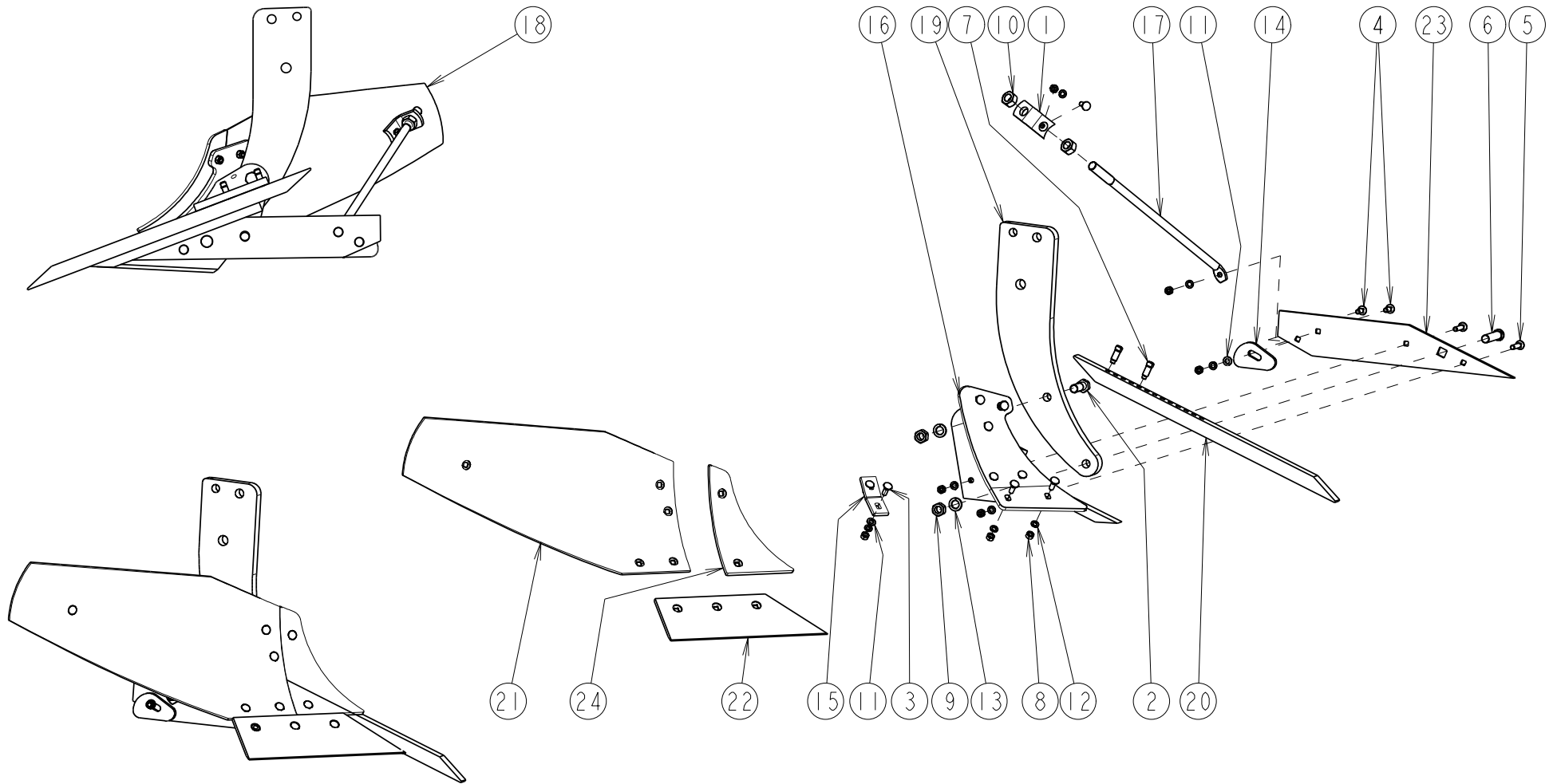
|   |                  |        |        |  |                  |
|---|------------------|--------|--------|--|------------------|
| <br>INDÚSTRIAS METALOMECÂNICAS, S.A.<br>S. JOÃO DAS LAMPAS - PORTUGAL | Exec. VAlexandre | Verif. | Alter. | <b>CH3/4-14H3 CH HID 3F</b><br><b>RIGHT FRONT BODY FRAME</b> | Série CH3/4-H    |
|   | Data 14-03-16    | Data   | Data   |  | Cód. 21201A1CP05 |



| Fig. Ref. N° | Referência Code Codigo | Quantidade/Alfaia<br>Quantité/Machine<br>Quantity/Implement | Descrição                     | Designation           | Description           |
|--------------|------------------------|---|-------------------------------|-----------------------|-----------------------|
|              |                        | CH3/4-14H3  |                               |                       |                       |
| 1            | 910101250              | 1   | PARAF. CS 8.8 M12x50          | VIS HEXAGONAL         | HEXAGONAL SCREW       |
| 2            | 910102266              | 1   | PARAF. CS 8.8 M22x90          | VIS HEXAGONAL         | HEXAGONAL SCREW       |
| 3            | 910131235              | 10  | PARAF. CE AQ8.8 M12x35        | VIS À LA TÊTE PLATE   | FLAT HEAD SCREW       |
| 4            | 910131265              | 1   | PARAF. CE AQ8.8 M12x65        | VIS À LA TÊTE PLATE   | FLAT HEAD SCREW       |
| 5            | 910132288              | 1   | PARAF. CE AQ8.8 M22x115       | VIS À LA TÊTE PLATE   | FLAT HEAD SCREW       |
| 6            | 910155839              | 2   | PARAF AJUST 5/8BSWx39         | VIS                   | SQUARE SCREW          |
| 7            | 911118120              | 12  | PORCA SEXT. 8 M12             | ÉCROU HEXAGONAL M12   | HEXAGONAL NUT M12     |
| 8            | 911118220              | 2   | PORCA SEXT. 8 M22             | ÉCROU HEXAGONAL M22   | HEXAGONAL NUT M22     |
| 9            | 911118240              | 2   | PORCA SEXT. 8 M24             | ÉCROU HEXAGONAL M24   | HEXAGONAL NUT M24     |
| 10           | 912000140              | 2   | ANILHA 13-M12                 | RONDELLE 13-M12       | FLAT WASHER 13-M12    |
| 11           | 912020120              | 12  | ANILHA MOLA 12 ZN             | RONDELLE ÉLASTIQUE 12 | SPRING WASHER 12      |
| 12           | 912020220              | 2   | ANILHA MOLA 22 ZN             | RONDELLE ÉLASTIQUE 22 | SPRING WASHER 22      |
| 13           | 211110700A1            | 1   | ESCORA 575                    | ACCROCHEZ             | BRACE                 |
| 14           | 211140040A1            | 1   | TRAVESSA AIVECA-RELHA 2 FUROS | LANE                  | LANE                  |
| 15           | 211430830A1            | 1   | REGULADOR DA ESCORA           | ANCRAGE GOUVERNEUR    | GOVERNOR ANCHOR       |
| 16           | 211460220A1            | 1   | CEPO ESQUERDO 14"             | BLOCK DROITE          | RIGHT BLOCK           |
| 17           | 211630350A1            | 1   | SUPORTE DA ESCORA             | ENTRETOISE DE SUPPORT | SUPPORT STRUT         |
| 18           | 212010410A1            | 1   | CORPO FORMÃO CH3/4-14"H ESQ F | BURIN DU CORPS        | LEFT FRONT BODY FRAME |
| 19           | 212010480A1            | 1   | APO OU TEIRÓ CH3/4-14"H       | AGE                   | BEAM                  |
| 20           | 811114092A1            | 1   | FORMÃO ESQUERDO 38x850        | CISEAU                | CHISEL                |
| 21           | 811122110A1            | 1   | AIVECA ESQ 2F-14"             | VERSOIR               | MOULDBOARD            |
| 22           | 811132310A1            | 1   | RELHA ESQ 2-14"-180           | SOC GAUCHE RASETTE    | RIGHT SKIMMER SHARE   |
| 23           | 811142510A1            | 1   | RASTO ESQUERDO F 2F-14"-180   | SUIVRE                | TRACK                 |
| 24           | 811152110A1            | 1   | RASPA DE AIVECA ESQ 2F-14"    | EPAULEMENT DE VERSOIR | SHIN                  |

|   |                  |        |        |   |                  |
|---|------------------|--------|--------|---|------------------|
| <br>INDÚSTRIAS METALOMECÂNICAS, S.A.<br>S. JOÃO DAS LAMPAS - PORTUGAL | Exec. VAlexandre | Verif. | Alter. | <b>CH3/4-14H3 CH HID 3F</b><br><b>LEFT FRONT BODY FRAME</b> | Série CH3/4-H    |
|   | Data 14-03-16    | Data   | Data   |   | Cód. 21201A1CP07 |




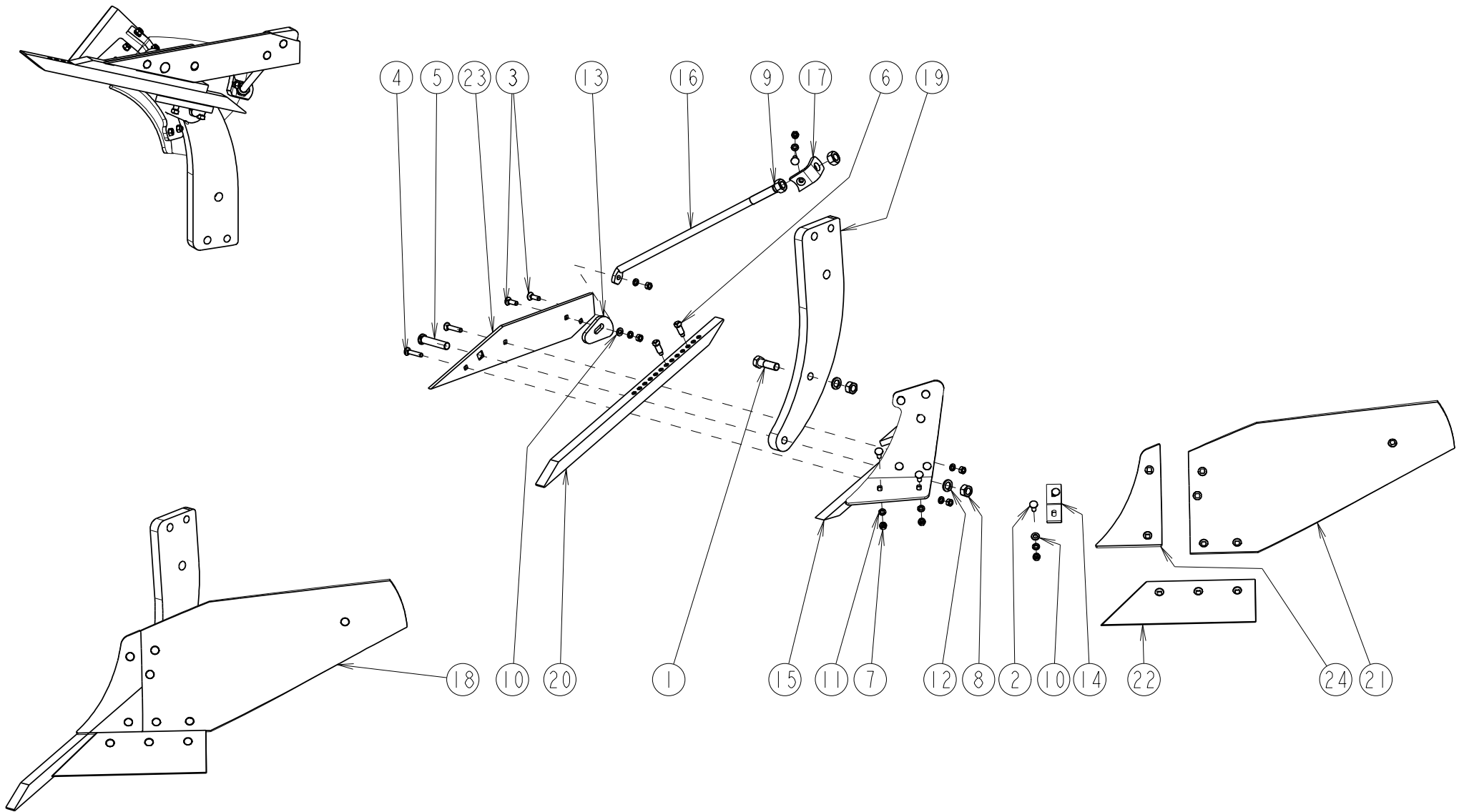


|       |            |        |        |
|-------|------------|--------|--------|
| Exec. | VAlexandre | Verif. | Alter. |
| Data  | 14-03-16   | Data   | Data   |

|       |             |
|-------|-------------|
| Série | CH3/4-H     |
| Cód.  | 21201A1CP08 |

| Fig. Ref. N° | Referência Code Codigo | Quantidade/Alfaia<br>Quantité/Machine<br>Quantity/Implement | Descrição                      | Designation           | Description           |
|--------------|------------------------|---|--------------------------------|-----------------------|-----------------------|
|              |                        | CH3/4-14H3  |                                |                       |                       |
| 1            | 211630350              | 1   | SUPORTE DA ESCORA              | ENTRETOISE DE SUPPORT | SUPPORT STRUT         |
| 2            | 910102260              | 1   | PARAF. CS 8.8 M22x75           | VIS HEXAGONAL         | HEXAGONAL SCREW       |
| 3            | 910131235              | 10  | PARAF. CE AQ8.8 M12x35         | VIS À LA TÊTE PLATE   | FLAT HEAD SCREW       |
| 4            | 910131240              | 2   | PARAF. CE AQ8.8 M12x40         | VIS À LA TÊTE PLATE   | FLAT HEAD SCREW       |
| 5            | 910131265              | 2   | PARAF. CE AQ8.8 M12x65         | VIS À LA TÊTE PLATE   | FLAT HEAD SCREW       |
| 6            | 910132288              | 1   | PARAF. CE AQ8.8 M22x115        | VIS À LA TÊTE PLATE   | FLAT HEAD SCREW       |
| 7            | 910155839              | 2   | PARAF AJUST 5/8BSWx39          | VIS                   | SQUARE SCREW          |
| 8            | 911118120              | 14  | PORCA SEXT. 8 M12              | ÉCROU HEXAGONAL M12   | HEXAGONAL NUT M12     |
| 9            | 911118220              | 2   | PORCA SEXT. 8 M22              | ÉCROU HEXAGONAL M22   | HEXAGONAL NUT M22     |
| 10           | 911118240              | 2   | PORCA SEXT. 8 M24              | ÉCROU HEXAGONAL M24   | HEXAGONAL NUT M24     |
| 11           | 912000140              | 3   | ANILHA 13-M12                  | RONDELLE 13-M12       | FLAT WASHER 13-M12    |
| 12           | 912020120              | 14  | ANILHA MOLA 12 ZN              | RONDELLE ÉLASTIQUE 12 | SPRING WASHER 12      |
| 13           | 912020220              | 2   | ANILHA MOLA 22 ZN              | RONDELLE ÉLASTIQUE 22 | SPRING WASHER 22      |
| 14           | 150200100A1            | 1   | CALÇO DRT N°2                  | TALON DROIT           | RIGHT HEEL            |
| 15           | 211140040A1            | 1   | TRAVESSA AIVECA-RELHA 2 FUIROS | LANE                  | LANE                  |
| 16           | 211460140A1            | 1   | CEPO DIREITO 14"               | BLOCK DROITE          | RIGHT BLOCK           |
| 17           | 211460710A1            | 1   | ESCORA 690                     | ACCROCHEZ             | BRACE                 |
| 18           | 212010420A1            | 1   | CORPO FORMÃO CH3/4-14" DRT T   | BURIN DU CORPS        | RIGHT BACK BODY FRAME |
| 19           | 212010480A1            | 1   | APO OU TEIRÓ CH3/4-14"H        | AGE                   | BEAM                  |
| 20           | 811114091A1            | 1   | FORMÃO DIREITO 38x850          | CISEAU                | CHISEL                |
| 21           | 811122120A1            | 1   | AIVECA DRT 2F-14"              | VERSOIR               | MOULDBOARD            |
| 22           | 811132320A1            | 1   | RELHA DRT 2-14"-180            | SOC GAUCHE RASETTE    | RIGHT SKIMMER SHARE   |
| 23           | 811142620A1            | 1   | RASTO DIREITO T 2F-14"-180     | SUIVRE                | TRACK                 |
| 24           | 811152120A1            | 1   | RASPA DE AIVECA DRT 2F-14"     | EPAULEMENT DE VERSOIR | SHIN                  |

|   |         |           |        |  |   |       |             |
|---|---------|-----------|--------|--|---|-------|-------------|
| <br>INDÚSTRIAS METALOMECÂNICAS, S.A.<br>S. JOÃO DAS LAMPAS - PORTUGAL | Exec. V | Alexandre | Verif. |  | <b>CH3/4-14H3 CH HID 3F</b><br><b>RIGHT BACK BODY FRAME</b> | Série | CH3/4-H     |
|   | Data    | 14-03-16  | Data   |  |   | Cód.  | 21201A1CP09 |




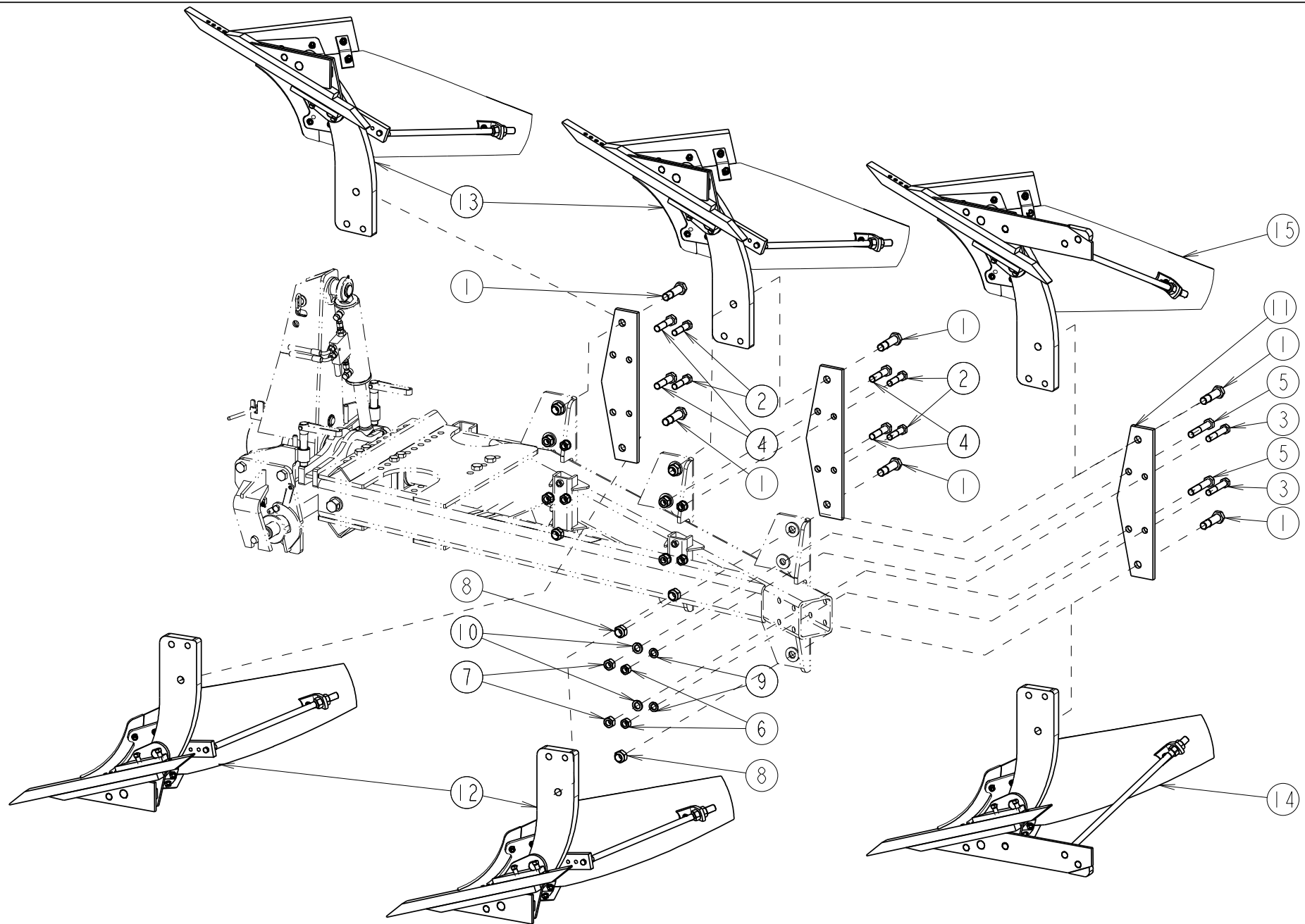
|       |            |        |        |
|-------|------------|--------|--------|
| Exec. | VAlexandre | Verif. | Alter. |
| Data  | 14-03-16   | Data   | Data   |

**CH3/4-14H3 CH HID 3F**  
**LEFT BACK BODY FRAME**

|       |             |
|-------|-------------|
| Série | CH3/4-H     |
| Cód.  | 21201A1CP10 |

| Fig. Ref. N° | Referência Code Codigo | Quantidade/Alfaia<br>Quantité/Machine<br>Quantity/Implement | Descrição                      | Designation           | Description          |
|--------------|------------------------|---|--------------------------------|-----------------------|----------------------|
|              |                        | CH3/4-14H3  |                                |                       |                      |
| 1            | 910102260              | 1   | PARAF. CS 8.8 M22x75           | VIS HEXAGONAL         | HEXAGONAL SCREW      |
| 2            | 910131235              | 10  | PARAF. CE AQ8.8 M12x35         | VIS À LA TÊTE PLATE   | FLAT HEAD SCREW      |
| 3            | 910131240              | 2   | PARAF. CE AQ8.8 M12x40         | VIS À LA TÊTE PLATE   | FLAT HEAD SCREW      |
| 4            | 910131265              | 2   | PARAF. CE AQ8.8 M12x65         | VIS À LA TÊTE PLATE   | FLAT HEAD SCREW      |
| 5            | 910132288              | 1   | PARAF. CE AQ8.8 M22x115        | VIS À LA TÊTE PLATE   | FLAT HEAD SCREW      |
| 6            | 910155839              | 2   | PARAF AJUST 5/8BSWx39          | VIS                   | SQUARE SCREW         |
| 7            | 911118120              | 14  | PORCA SEXT. 8 M12              | ÉCROU HEXAGONAL M12   | HEXAGONAL NUT M12    |
| 8            | 911118220              | 2   | PORCA SEXT. 8 M22              | ÉCROU HEXAGONAL M22   | HEXAGONAL NUT M22    |
| 9            | 911118240              | 2   | PORCA SEXT. 8 M24              | ÉCROU HEXAGONAL M24   | HEXAGONAL NUT M24    |
| 10           | 912000140              | 3   | ANILHA 13-M12                  | RONDELLE 13-M12       | FLAT WASHER 13-M12   |
| 11           | 912020120              | 14  | ANILHA MOLA 12 ZN              | RONDELLE ÉLASTIQUE 12 | SPRING WASHER 12     |
| 12           | 912020220              | 2   | ANILHA MOLA 22 ZN              | RONDELLE ÉLASTIQUE 22 | SPRING WASHER 22     |
| 13           | 150200090A1            | 1   | CALÇO ESQ N°1                  | TALON GAUCHE N°1      | LEFT HEEL N°1        |
| 14           | 211140040A1            | 1   | TRAVESSA AIVECA-RELHA 2 FUIROS | LANE                  | LANE                 |
| 15           | 211460220A1            | 1   | CEPO ESQUERDO 14"              | BLOCK DROITE          | RIGHT BLOCK          |
| 16           | 211460710A1            | 1   | ESCORA 690                     | ACCROCHEZ             | BRACE                |
| 17           | 211630350A1            | 1   | SUPORTE DA ESCORA              | ENTRETOISE DE SUPPORT | SUPPORT STRUT        |
| 18           | 212010430A1            | 1   | CORPO FORMÃO CH3/4-14"H ESQ T  | BURIN DU CORPS        | LEFT BACK BODY FRAME |
| 19           | 212010480A1            | 1   | APO OU TEIRÓ CH3/4-14"H        | AGE                   | BEAM                 |
| 20           | 811114092A1            | 1   | FORMÃO ESQUERDO 38x850         | CISEAU                | CHISEL               |
| 21           | 811122110A1            | 1   | AIVECA ESQ 2F-14"              | VERSOIR               | MOULDBOARD           |
| 22           | 811132310A1            | 1   | RELHA ESQ 2-14"-180            | SOC GAUCHE RASETTE    | RIGHT SKIMMER SHARE  |
| 23           | 811142610A1            | 1   | RASTO ESQUERDO T 2F-14"-180    | SUIVRE                | TRACK                |
| 24           | 811152110A1            | 1   | RASPA DE AIVECA ESQ 2F-14"     | EPAULEMENT DE VERSOIR | SHIN                 |

|   |                  |        |        |  |                  |
|---|------------------|--------|--------|--|------------------|
| <br>INDÚSTRIAS METALOMECÂNICAS, S.A.<br>S. JOÃO DAS LAMPAS - PORTUGAL | Exec. VAlexandre | Verif. | Alter. | <b>CH3/4-14H3 CH HID 3F</b><br><b>LEFT BACK BODY FRAME</b> | Série CH3/4-H    |
|   | Data 14-03-16    | Data   | Data   |  | Cód. 21201A1CP11 |




|       |            |        |        |
|-------|------------|--------|--------|
| Exec. | VAlexandre | Verif. | Alter. |
| Data  | 14-03-16   | Data   | Data   |

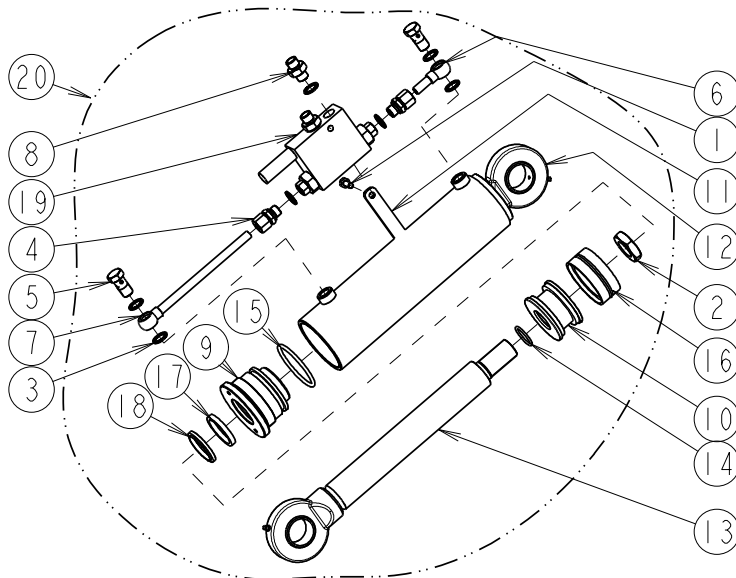
**CH3/4-14H3 CH HID 3F  
 BODY FRAMES**

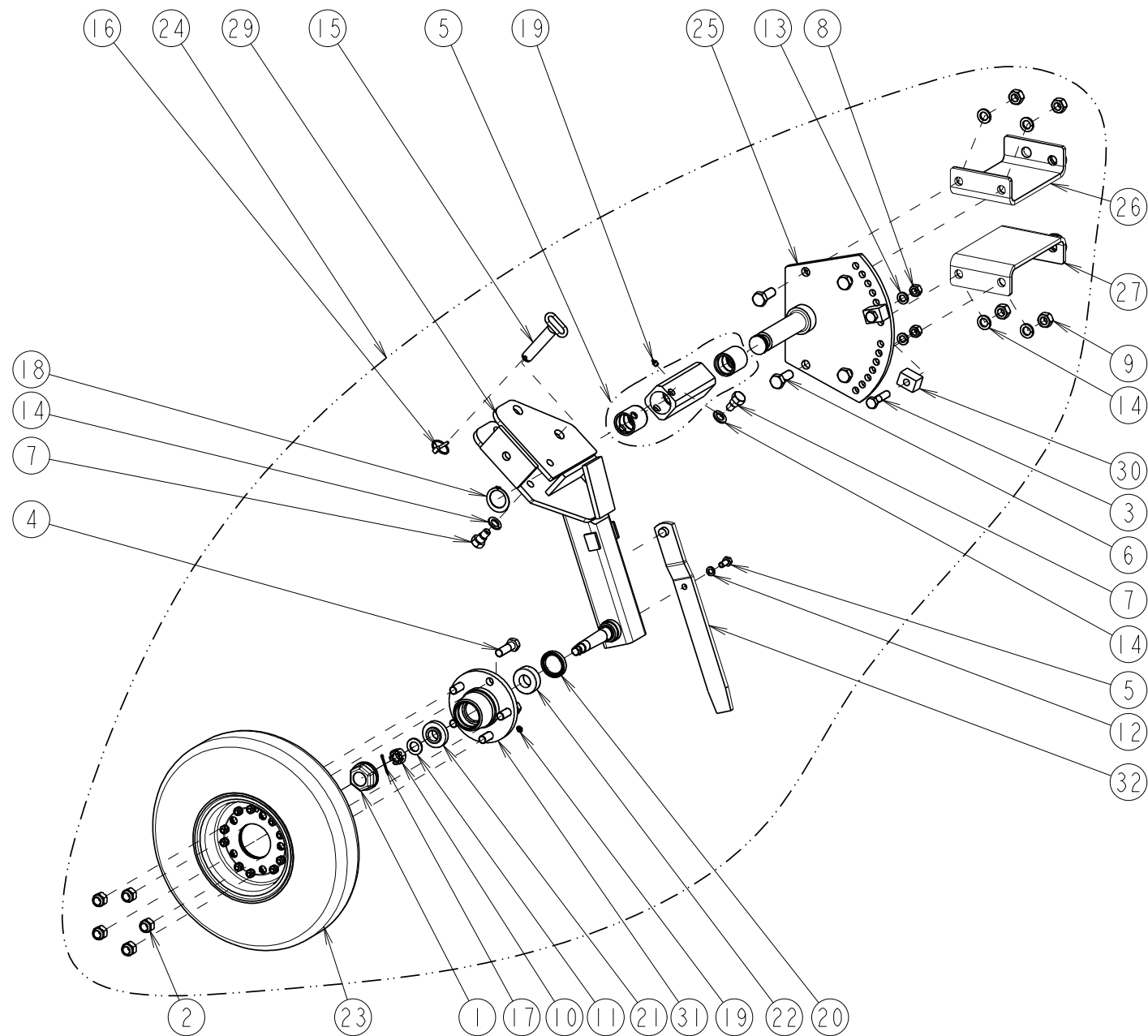
|       |             |
|-------|-------------|
| Série | CH3/4-H     |
| Cód.  | 21201A1CP12 |

| Fig. Ref. N° | Referência Code Codigo | Quantidade/Alfaia<br>Quantité/Machine<br>Quantity/Implement | Descrição                     | Designation                | Description             |
|--------------|------------------------|---|-------------------------------|----------------------------|-------------------------|
|              |                        | CH3/4-14H3  |                               |                            |                         |
| 1            | 900332700              | 6   | PARAF CAB SEXT M27x106-46     | VIS HEXAGONAL              | HEXAGONAL SCREW         |
| 2            | 910102266              | 4   | PARAF. CS 8.8 M22x90          | VIS HEXAGONAL              | HEXAGONAL SCREW         |
| 3            | 910102274              | 2   | PARAF. CS 8.8 M22x120         | VIS HEXAGONAL              | HEXAGONAL SCREW         |
| 4            | 910102470              | 4   | PARAF. CS 8.8 M24x100         | VIS HEXAGONAL              | HEXAGONAL SCREW         |
| 5            | 910102476              | 2   | PARAF. CS 8.8 M24x130         | VIS HEXAGONAL              | HEXAGONAL SCREW         |
| 6            | 911118220              | 6   | PORCA SEXT. 8 M22             | ÉCROU HEXAGONAL M22        | HEXAGONAL NUT M22       |
| 7            | 911118240              | 6   | PORCA SEXT. 8 M24             | ÉCROU HEXAGONAL M24        | HEXAGONAL NUT M24       |
| 8            | 911150270              | 6   | PORCA S AUTOBL M27 ZN         | ÉCROU INDESSERRABLE M27 ZN | SELF LOCKING NUT M27 ZN |
| 9            | 912020220              | 6   | ANILHA MOLA 22 ZN             | RONDELLE ÉLASTIQUE 22      | SPRING WASHER 22        |
| 10           | 912020240              | 6   | ANILHA MOLA 24 ZN             | RONDELLE ÉLASTIQUE 24      | SPRING WASHER 24        |
| 11           | 211980181A1            | 3   | REF SUPT DO APO 600           | PLAQUE EXTERIOR AGE        | OUT BEAM PLATE          |
| 12           | 212010400A1            | 2   | CORPO FORMÃO CH3/4-14" DRT F  | BURIN DU CORPS             | RIGHT FRONT BODY FRAME  |
| 13           | 212010410A1            | 2   | CORPO FORMÃO CH3/4-14"H ESQ F | BURIN DU CORPS             | LEFT FRONT BODY FRAME   |
| 14           | 212010420A1            | 1   | CORPO FORMÃO CH3/4-14" DRT T  | BURIN DU CORPS             | RIGHT BACK BODY FRAME   |
| 15           | 212010430A1            | 1   | CORPO FORMÃO CH3/4-14"H ESQ T | BURIN DU CORPS             | LEFT BACK BODY FRAME    |

|   |                  |        |        |   |                  |
|---|------------------|--------|--------|---|------------------|
| <br>INDÚSTRIAS METALOMECÂNICAS, S.A.<br>S. JOÃO DAS LAMPAS - PORTUGAL | Exec. VAlexandre | Verif. | Alter. | <b>CH3/4-14H3 CH HID 3F</b><br><b>BODY FRAMES</b> | Série CH3/4-H    |
|   | Data 14-03-16    | Data   | Data   |   | Cód. 21201A1CP13 |

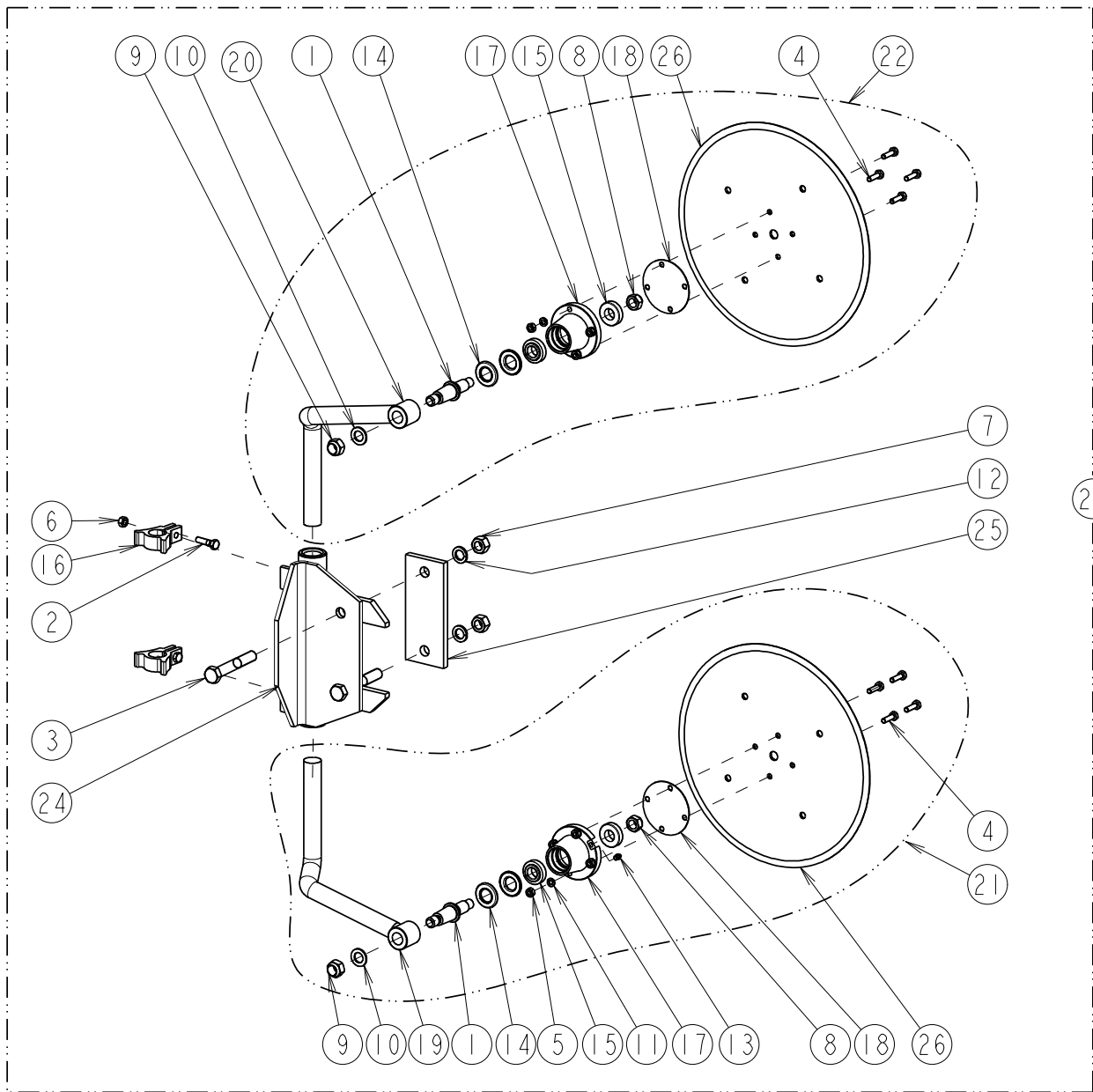
| Fig. Ref. N° | Referência Code Codigo | Quantidade/Alfaia<br>Quantité/Machine<br>Quantity/Implement | Descrição                         | Designation                    | Description                |
|--------------|------------------------|---|-----------------------------------|--------------------------------|----------------------------|
|              |                        | CH3/4-14H3  |                                   |                                |                            |
| 1            | 910110820              | 1   | PARAF. CS RT 8.8 M8x20            | VIS HEXAGONAL                  | HEXAGONAL SCREW            |
| 2            | 911119300              | 1   | PORCA SEXT. REB. M30x2            | ÉCROU HEXAGONAL M30x2          | HEXAGONAL NUT M30x2        |
| 3            | 912068167              | 8   | ANILHA VED. 16.7x24.x1.5          | RONDELLE D'ÉTAINCHEITÉ         | SEALING WASHER             |
| 4            | 930541120              | 2   | UNIÃO DL12 DIN 2353               | ÉCROU DE RAPPEL Ø12            | MALE CONECTION Ø12         |
| 5            | 930609212              | 2   | PARAF. REF. 3EB672-12-21          | VIS                            | BOLT                       |
| 6            | 930609270              | 1   | BANJO 3/8"xØ12-50                 | BANJO                          | BANJO                      |
| 7            | 930609271              | 1   | BANJO 3/8"xØ12-200                | BANJO                          | BANJO                      |
| 8            | 930623839              | 2   | UNIÃO DUP M 3/8 BSP-FURO 2        | UNION MASCULIN 3/8"BSP-TROU Ø2 | MALE UNION 3/8"BSP-HOLE Ø2 |
| 9            | 930965011              | 1   | TAMPA DO CILINDRO 80G             | CULASSE 80G                    | 80G END COVER              |
| 10           | 930970140              | 1   | PORCA ÊMBOLO GAL-80G              | PISTON 80G                     | 80G NUT                    |
| 11           | 931007890              | 1   | APOIO DA VALV 88.5                | SUPPORT D' VALVE               | VALVE SUPPORT              |
| 12           | 931010810              | 1   | CORPO DO CILINDRO 80G-215         | CORPS DU VÉRIN                 | CYLINDER BODY              |
| 13           | 931010820              | 1   | HASTE Ø45x422-Ø40                 | ARBRE DE TIGE                  | PISTON ROCKER              |
| 14           | 932003030              | 1   | O'RING 3x30 90 SHORE A            | JOINT TORIQUE                  | O'RING                     |
| 15           | 932006070              | 1   | O'RING 5x70 90 SHORE A            | JOINT TORIQUE                  | O'RING                     |
| 16           | 932110800              | 1   | VEDANTE 80x60x22,4 A/DUP          | JOINT                          | SEAL                       |
| 17           | 932120457              | 1   | VEDANTE 45/55x7,3 HALLITE-605     | JOINT DE LA TIGE               | ROD SEAL                   |
| 18           | 932240451              | 1   | LABIO RASPADOR 45x55x5x7          | RÂCLEUR                        | SCRAPER                    |
| 19           | 933499085              | 1   | VALVULA AUTO-REVERSE VRA 60/80 SE | SOUPAPE DE RÉTENUÉ HYDRAULIQUE | HYDRAULIC RETAINING VALVE  |
| 20           | 931010801A1            | 1   | 80G-215 CIL HIDR D E              | VÉRIN À DOUBLE EFFET           | DOUBLE-ACTING CYLINDER     |







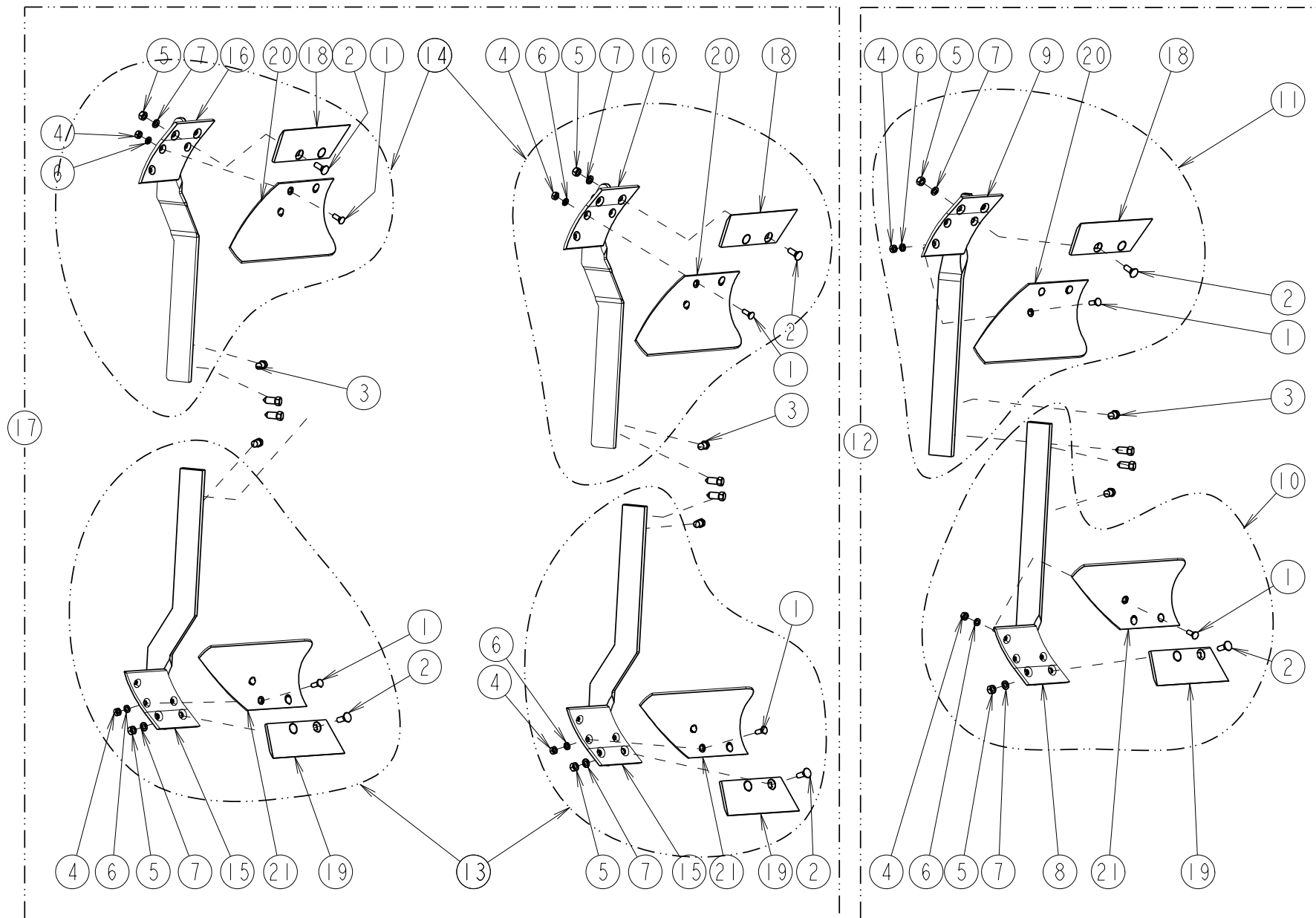
| Fig. Ref. N° | Referência Code Codigo | Quantidade/Alfaia<br>Quantité/Machine<br>Quantity/Implement | Descrição                      | Designation                   | Description                  |
|--------------|------------------------|---|--------------------------------|-------------------------------|------------------------------|
|              |                        | CH3/4-14H3  |                                |                               |                              |
| 1            | 232140171              | 1   | TAMPÃO DA CHUMACEIRA           | COUVERCLE DU PALIER           | BEARING CAP                  |
| 2            | 901301810              | 5   | PORCA M18x1,5 ZN P/JANTE       | ÉCROU DE GOUJON M18           | WHEEL NUT                    |
| 3            | 910101656              | 2   | PARAF. CS 8.8 M16x65           | VIS HEXAGONAL                 | HEXAGONAL SCREW              |
| 4            | 910105854              | 5   | PARAF. CS 8.8 M18x1,5x60       | VIS HEXAGONAL                 | HEXAGONAL SCREW              |
| 5            | 910111225              | 1   | PARAF. CS RT 8.8 M12x25        | VIS HEXAGONAL                 | HEXAGONAL SCREW              |
| 6            | 910112050              | 4   | PARAF. CS RT 8.8 M20x50        | VIS HEXAGONAL                 | HEXAGONAL SCREW              |
| 7            | 910152033              | 2   | PARAF. AJUST. M20x34.3         | VIS - M10x30                  | ADJUSTMENT BOLT - M10x30     |
| 8            | 911118160              | 2   | PORCA SEXT. 8 M16              | ÉCROU HEXAGONAL M16           | HEXAGONAL NUT M16            |
| 9            | 911118200              | 4   | PORCA SEXT. 8 M20              | ÉCROU HEXAGONAL M20           | HEXAGONAL NUT M20            |
| 10           | 911133220              | 1   | PORCA M22-18 CAST Cl.8         | ÉCROU CRENELÉ M22-18 Cl.8     | SLOTTED NUT M22-18 Cl.8      |
| 11           | 912000240              | 1   | ANILHA 23-M22                  | RONDELLE 23-M22               | FLAT WASHER 23-M22           |
| 12           | 912020120              | 1   | ANILHA MOLA 12 ZN              | RONDELLE ÉLASTIQUE 12         | SPRING WASHER 12             |
| 13           | 912020160              | 2   | ANILHA MOLA 16 ZN              | RONDELLE ÉLASTIQUE 16         | SPRING WASHER 16             |
| 14           | 912020200              | 6   | ANILHA MOLA 20 ZN              | RONDELLE ÉLASTIQUE 20         | SPRING WASHER 20             |
| 15           | 913182601              | 1   | CAV. C/ARGOLA Ø25x102          | GOUPILLE                      | LINCH PIN                    |
| 16           | 913211060              | 1   | CAVILHA DE ELO Ø 6             | GOUPILLE Á ANNEAU ROBOTANT 6  | LINCH PIN 6                  |
| 17           | 913224040              | 1   | TROÇO EM AÇO 4x40 DIN94        | GOUPILLE FENDUE 4x40 DIN94    | SPLIT COTTER PIN 4x40 DIN94  |
| 18           | 914000450              | 1   | FREIO EXT 45 DIN 471           | CIRCLIP EXT                   | EXT CIRCLIP                  |
| 19           | 930001101              | 2   | LUBRIFICADOR M10x1 RECTO       | GRAISEUR                      | GREASE NIPPLE                |
| 20           | 932204520              | 1   | RETENTOR 45x62x10              | JOINT                         | RETAINER                     |
| 21           | 951330305              | 1   | ROL. 30305 CÓNICO              | ROULEMENT                     | BEARING                      |
| 22           | 951332206              | 1   | ROL. 32206 CÓNICO              | ROULEMENT                     | BEARING                      |
| 23           | 971010261              | 1   | CONJ. RODA MONTADO 6.00x9-10PR | ENSEMBLE ROUE                 | WHEELS SET                   |
| 24           | 212011000A1            | 1   | RODA REG.PROF.TRANSF.CH.14/16  | ROUE DE PROFONDEUR CH.14/16   | DEPTH CONTROL WHEEL CH.14/16 |
| 25           | 212011010A1            | 1   | REGULADOR DE PROFUNDIDADE 312  | RÉGULATEUR PROFUNDEUR 312     | DEPTH ADJUSTER 312           |
| 26           | 212011070A1            | 1   | U" DE ENGATE COMPLETO 160 SUP  | U ATTELAGE DE LA RUE 160 SUP  | U WHEEL LINKAGE 160 SUP      |
| 27           | 212011080A1            | 1   | U" DE ENGATE COMPLETO 160 INF  | U ATTELAGE DE LA ROUE 160 INF | U WHEEL LINKAGE 160 INF      |
| 28           | 212410060A1            | 1   | CHUMACEIRA C/ CASQUILHOS       | PALIER À COUSSIGNET           | FRICTION BEARING             |
| 29           | 212410250A1            | 1   | SUPORTE DA RODA                | ARBRE PIVOT                   | FURROW WHEEL SUPPORT         |
| 30           | 212410300A1            | 2   | Batente □ 32xØ 16              | POSITIONNER □ 32xØ 16         | POSITIONER □ 32xØ 16         |
| 31           | 212410381A1            | 1   | CUBO DA RODA                   | MOYEU DE ROUE                 | WHEEL HUB                    |
| 32           | 212410960A1            | 1   | FIXADOR DA RODA CONJ.          | ASSEMBLAGE DE FIXER LA ROUE   | FIXED WHEEL ASSEMBLY         |




|       |            |        |        |
|-------|------------|--------|--------|
| Exec. | VAlexandre | Verif. | Alter. |
| Data  | 14-03-16   | Data   | Data   |

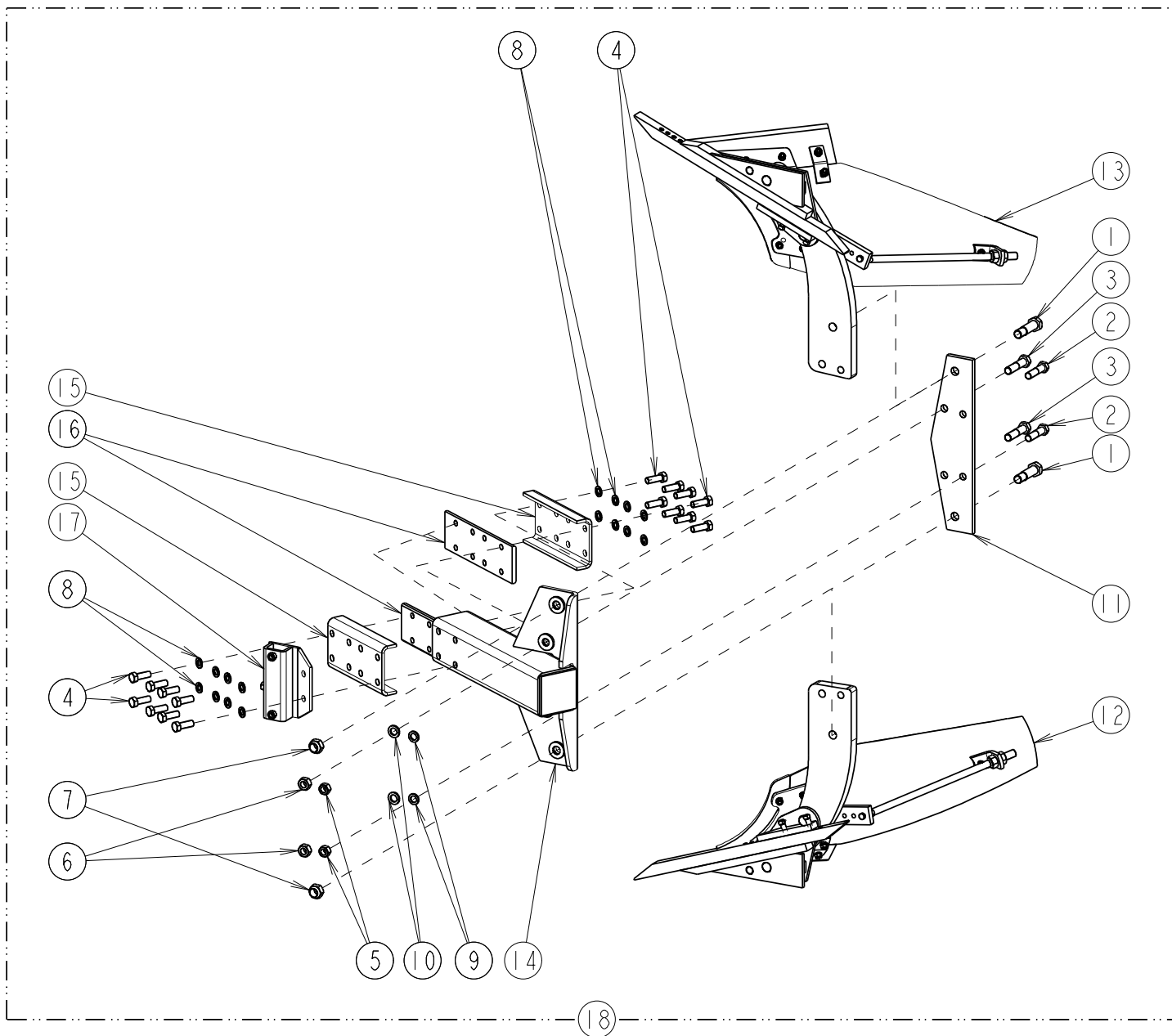
|       |             |
|-------|-------------|
| Série | CH3/4-H     |
| Cód.  | 21201A1CP17 |

| Fig. Ref. N° | Referência Code Codigo | Quantidade/Alfaia<br>Quantité/Machine<br>Quantity/Implement | Descrição                      | Designation                | Description             |
|--------------|------------------------|---|--------------------------------|----------------------------|-------------------------|
|              |                        | CH3/4-14H3  |                                |                            |                         |
| 1            | 211632100              | 2   | VEIO DO DISCO DE SEGA          | AXE DE ROTATION            | DISC ROTARY AXLE        |
| 2            | 910101245              | 2   | PARAF. CS 8.8 M12x45           | VIS HEXAGONAL              | HEXAGONAL SCREW         |
| 3            | 910102278              | 2   | PARAF. CS 8.8 M22x140          | VIS HEXAGONAL              | HEXAGONAL SCREW         |
| 4            | 910111035              | 8   | PARAF. CS RT 8.8 M10x35        | VIS HEXAGONAL              | HEXAGONAL SCREW         |
| 5            | 911118100              | 8   | PORCA SEXT. 8 M10              | ÉCROU HEXAGONAL M10        | HEXAGONAL NUT M10       |
| 6            | 911118120              | 2   | PORCA SEXT. 8 M12              | ÉCROU HEXAGONAL M12        | HEXAGONAL NUT M12       |
| 7            | 911118220              | 2   | PORCA SEXT. 8 M22              | ÉCROU HEXAGONAL M22        | HEXAGONAL NUT M22       |
| 8            | 911150200              | 2   | PORCA S AUTOBL M20 ZN          | ÉCROU INDESSERRABLE M20 ZN | SELF LOCKING NUT M20 ZN |
| 9            | 911150220              | 2   | PORCA S AUTOBL M22 ZN          | ÉCROU INDESSERRABLE M22 ZN | SELF LOCKING NUT M22 ZN |
| 10           | 912000240              | 2   | ANILHA 23-M22                  | RONDELLE 23-M22            | FLAT WASHER 23-M22      |
| 11           | 912020100              | 8   | ANILHA MOLA 10 ZN              | RONDELLE ÉLASTIQUE 10      | SPRING WASHER 10        |
| 12           | 912020220              | 2   | ANILHA MOLA 22 ZN              | RONDELLE ÉLASTIQUE 22      | SPRING WASHER 22        |
| 13           | 930001101              | 2   | LUBRIFICADOR M10x1 RECTO       | GRAISEUR                   | GREASE NIPPLE           |
| 14           | 950023055              | 4   | ANEL VEDADOR FOSFATIZADO 30x55 | RONDELLE D'ÉTAINCHÉITÉ     | SEALING WASHER          |
| 15           | 951330205              | 4   | ROL. 30205 CÓNICO              | ROULEMENT                  | BEARING                 |
| 16           | 211632050A1            | 2   | AFINADOR DO DISCO              | TUNER DISC                 | TUNER DISC              |
| 17           | 211632120A1            | 2   | CUBO DO DISCO DE SEGA          | SEUL COUTRE                | HUB DISC                |
| 18           | 211632130A1            | 2   | CÍRCULO 100x120                | CERCLE                     | CIRCLE                  |
| 19           | 211632170A1            | 1   | BRAÇO DRT DA SEGA CONJ         | BRAS DROIT                 | RIGHT ARM               |
| 20           | 211632180A1            | 1   | BRAÇO ESQ DA SEGA CONJ         | BRAS GAUCHE                | LEFT ARM                |
| 21           | 211641060A1            | 1   | SEGA DISCO COMPL DRT 20"       | DROIT COUTRES              | RIGHT DISC COULTRS      |
| 22           | 211641070A1            | 1   | SEGA DISCO COMPL ESQ 20"       | GAUCHE COUTRES             | LEFT DISC COULTRS       |
| 23           | 212012000A1            | 1   | SEGA DE DISC CH3/4 14-16H-3F   | COUTRES CH. 3/4            | DISC COULTERS CH. 3/4   |
| 24           | 212012010A1            | 1   | Suporte da sega CH3/4-14"H     | SUPPORT DE LA COUTRE       | COULTER SUPPORT         |
| 25           | 212012020A1            | 1   | TRAVESSA DE APERTO 240         | PLAQUE DE SERRAGE          | TIGHTENING PLATE        |
| 26           | 811012055A1            | 2   | DISCO DE SEGA LISO 20"         | DISQUE                     | HARD MOWING             |



| Fig. Ref. N <sup>o</sup> | Referência Code Codigo | Quantidade/Alfaia<br>Quantité/Machine<br>Quantity/Implement | Descrição                           | Designation                     | Description                  |
|--------------------------|------------------------|---|-------------------------------------|---------------------------------|------------------------------|
|                          |                        | CH3/4-14H3  |                                     |                                 |                              |
| 1                        | 910131030              | 18  | PARAF. CE AQ8.8 M10x30              | VIS À LA TÊTE PLATE             | FLAT HEAD SCREW              |
| 2                        | 910131235              | 12  | PARAF. CE AQ8.8 M12x35              | VIS À LA TÊTE PLATE             | FLAT HEAD SCREW              |
| 3                        | 910151637              | 12  | PARAF. AJUST. CI.12.9 M16x35        | VIS AJUSTEMENT                  | ADJUSTEMENT SCREW            |
| 4                        | 911118100              | 18  | PORCA SEXT. 8 M10                   | ÉCROU HEXAGONAL M10             | HEXAGONAL NUT M10            |
| 5                        | 911118120              | 12  | PORCA SEXT. 8 M12                   | ÉCROU HEXAGONAL M12             | HEXAGONAL NUT M12            |
| 6                        | 912020100              | 18  | ANILHA MOLA 10 ZN                   | RONDELLE ÉLASTIQUE 10           | SPRING WASHER 10             |
| 7                        | 912020120              | 12  | ANILHA MOLA 12 ZN                   | RONDELLE ÉLASTIQUE 12           | SPRING WASHER 12             |
| 8                        | 211713030A1            | 1   | BRAÇO DRT RASPADEIRA 710            | BRAS RASSETTE DROITE            | RIGHT SKIMMER ARM            |
| 9                        | 211713040A1            | 1   | BRAÇO ESQ RASPADEIRA 710            | BRAS RASSETTE GAUCHE            | LEFT SKIMMER ARM             |
| 10                       | 211713050A1            | 1   | RASPADEIRA CONJ DRT                 | RASSETTE DROITE                 | RIGHT SKIMMER                |
| 11                       | 211713060A1            | 1   | RASPADEIRA CONJ ESQ                 | RASSETTE GAUCHE                 | LEFT SKIMMER                 |
| 12                       | 211841030A1            | 1   | CONJ RASPADEIRAS CH2-M/H (PAR)      | RASSETTES (PAIRE)               | SKIMMER (PAIR)               |
| 13                       | 211841050A1            | 2   | RASPADEIRA CH2-14" M CURVA DRT      | RASSETTE CH2-14" M DROITE       | RIGHT SKIMMER CH2-14" M      |
| 14                       | 211841060A1            | 2   | RASPADEIRA CH2-14" M CURVA ESQ      | RASSETTE CH2-14" M GAUCHE       | LEFT SKIMMER CH2-14" M       |
| 15                       | 211841070A1            | 2   | BRAÇO CURVO DRT RASP CONJ 670       | BRAS COURBÉ RASSETTE DROITE 670 | CURVED RIGHT SKIMMER ARM 670 |
| 16                       | 211841080A1            | 2   | BRAÇO CURVO ESQ DA RASP CONJ 670    | BRAS COURBÉ RASSETTE GAUCHE 670 | CURVED RIGHT SKIMMER ARM 670 |
| 17                       | 211841100A1            | 2   | CONJ RASP CH2-14" TRAS CURVAS (PAR) | RASSETTES (PAIRE)               | SKIMMER (PAIR)               |
| 18                       | 811132810A1            | 3   | RELHA ESQ                           | SOC GAUCHE RASSETTE             | RIGHT SKIMMER SHARE          |
| 19                       | 811132820A1            | 3   | RELHA DRT                           | SOC GAUCHE RASSETTE             | RIGHT SKIMMER SHARE          |
| 20                       | 811162210A1            | 3   | RASPADEIRA ESQ                      | RASSETTE DROITE                 | RIGHT SKIMMER                |
| 21                       | 811162220A1            | 3   | RASPADEIRA DRT                      | RASSETTE GAUCHE                 | LEFT SKIMMER                 |

|   |                  |        |        |  |                  |
|---|------------------|--------|--------|--|------------------|
| <br>INDÚSTRIAS METALOMECÂNICAS, S.A.<br>S. JOÃO DAS LAMPAS - PORTUGAL | Exec. VAlexandre | Verif. | Alter. | <b>CH3/4-14H3 CH HID 3F</b><br><b>SKIMMERS</b> | Série CH3/4-H    |
|   | Data 14-03-16    | Data   | Data   |  | Cód. 21201A1CP20 |




|       |            |        |        |
|-------|------------|--------|--------|
| Exec. | VAlexandre | Verif. | Alter. |
| Data  | 14-03-16   | Data   | Data   |

**CH3/4-14H3 CH HID 3F**  
**14-4F EXTENSION WITH BAR POINT**

|       |             |
|-------|-------------|
| Série | CH3/4-H     |
| Cód.  | 21201A1CP21 |

| Fig. Ref. N° | Referência Code Codigo | Quantidade/Alfaia<br>Quantité/Machine<br>Quantity/Implement | Descrição                       | Designation                      | Description                    |
|--------------|------------------------|---|---------------------------------|----------------------------------|--------------------------------|
|              |                        | CH3/4-14H3  |                                 |                                  |                                |
| 1            | 900332700              | 2   | PARAF CAB SEXT M27x106-46       | VIS HEXAGONAL                    | HEXAGONAL SCREW                |
| 2            | 910102266              | 2   | PARAF. CS 8.8 M22x90            | VIS HEXAGONAL                    | HEXAGONAL SCREW                |
| 3            | 910102470              | 2   | PARAF. CS 8.8 M24x100           | VIS HEXAGONAL                    | HEXAGONAL SCREW                |
| 4            | 910112055              | 16  | PARAF. CS RT 8.8 M20x55         | VIS HEXAGONAL                    | HEXAGONAL SCREW                |
| 5            | 911118220              | 2   | PORCA SEXT. 8 M22               | ÉCROU HEXAGONAL M22              | HEXAGONAL NUT M22              |
| 6            | 911118240              | 2   | PORCA SEXT. 8 M24               | ÉCROU HEXAGONAL M24              | HEXAGONAL NUT M24              |
| 7            | 911150270              | 2   | PORCA S AUTOBL M27 ZN           | ÉCROU INDESSERRABLE M27 ZN       | SELF LOCKING NUT M27 ZN        |
| 8            | 912020200              | 16  | ANILHA MOLA 20 ZN               | RONDELLE ÉLASTIQUE 20            | SPRING WASHER 20               |
| 9            | 912020220              | 2   | ANILHA MOLA 22 ZN               | RONDELLE ÉLASTIQUE 22            | SPRING WASHER 22               |
| 10           | 912020240              | 2   | ANILHA MOLA 24 ZN               | RONDELLE ÉLASTIQUE 24            | SPRING WASHER 24               |
| 11           | 211980181A1            | 1   | REF SUPT DO APO 600             | PLAQUE EXTERIOR AGE              | OUT BEAM PLATE                 |
| 12           | 212010400A1            | 1   | CORPO FORMÃO CH3/4-14" DRT F    | BURIN DU CORPS                   | RIGHT FRONT BODY FRAME         |
| 13           | 212010410A1            | 1   | CORPO FORMÃO CH3/4-14"H ESQ F   | BURIN DU CORPS                   | LEFT FRONT BODY FRAME          |
| 14           | 212020010A1            | 1   | EXTENSÃO COMPLETA CH3/4-14"H-4F | EXTENSION CH3/4-14"H-4F          | CH3/4-14"H-4F EXTENSION        |
| 15           | 212020050A1            | 2   | FIXADOR EXTERIOR DA EXTENSÃO    | FIXATEUR EXTERNE DE L' EXTENSION | EXTERNAL EXTENSION HOLDER      |
| 16           | 212020060A1            | 2   | FIXADOR INTERIOR DA EXTENSÃO    | FIXATEUR INTERNE DE L'EXTENSION  | INTERNAL EXTENSION HOLDER      |
| 17           | 212020070A1            | 1   | ENGATE DA RASP COMPLETA         | SUPPORT DES RASSETTES            | SKIMMERS SUPPORT               |
| 18           | 212020100A1            | 1   | EXT COMPL 14-4F C/C FORMÃO      | EXTENSION 14-4F AVEC CARRELET    | 14-4F EXTENSION WITH BAR POINT |

|   |         |           |        |  |  |       |             |
|---|---------|-----------|--------|--|--|-------|-------------|
| <br>INDÚSTRIAS METALOMECÂNICAS, S.A.<br>S. JOÃO DAS LAMPAS - PORTUGAL | Exec. V | Alexandre | Verif. |  | <b>CH3/4-14H3 CH HID 3F</b><br><b>14-4F EXTENSION WITH BAR POINT</b> | Série | CH3/4-H     |
|   | Data    | 14-03-16  | Data   |  |  | Cód.  | 21201A1CP22 |