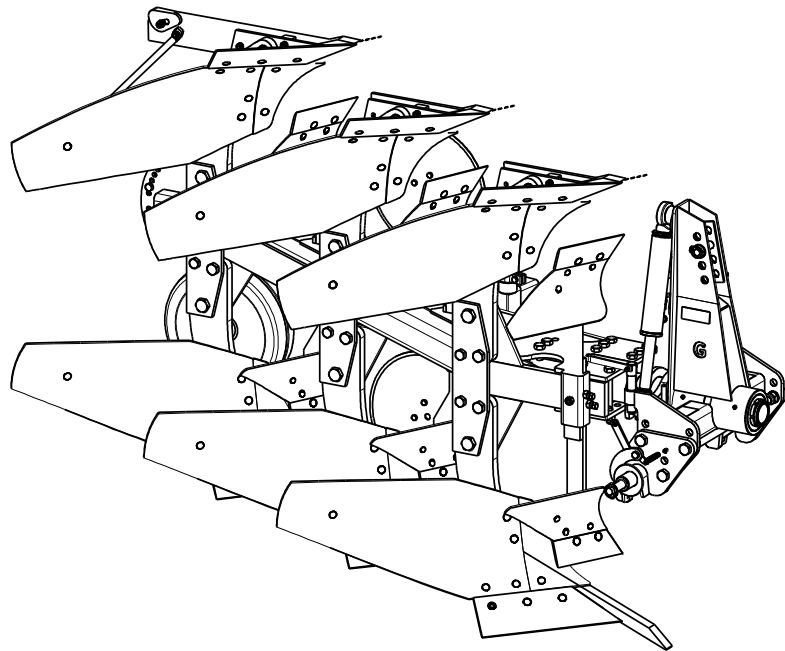




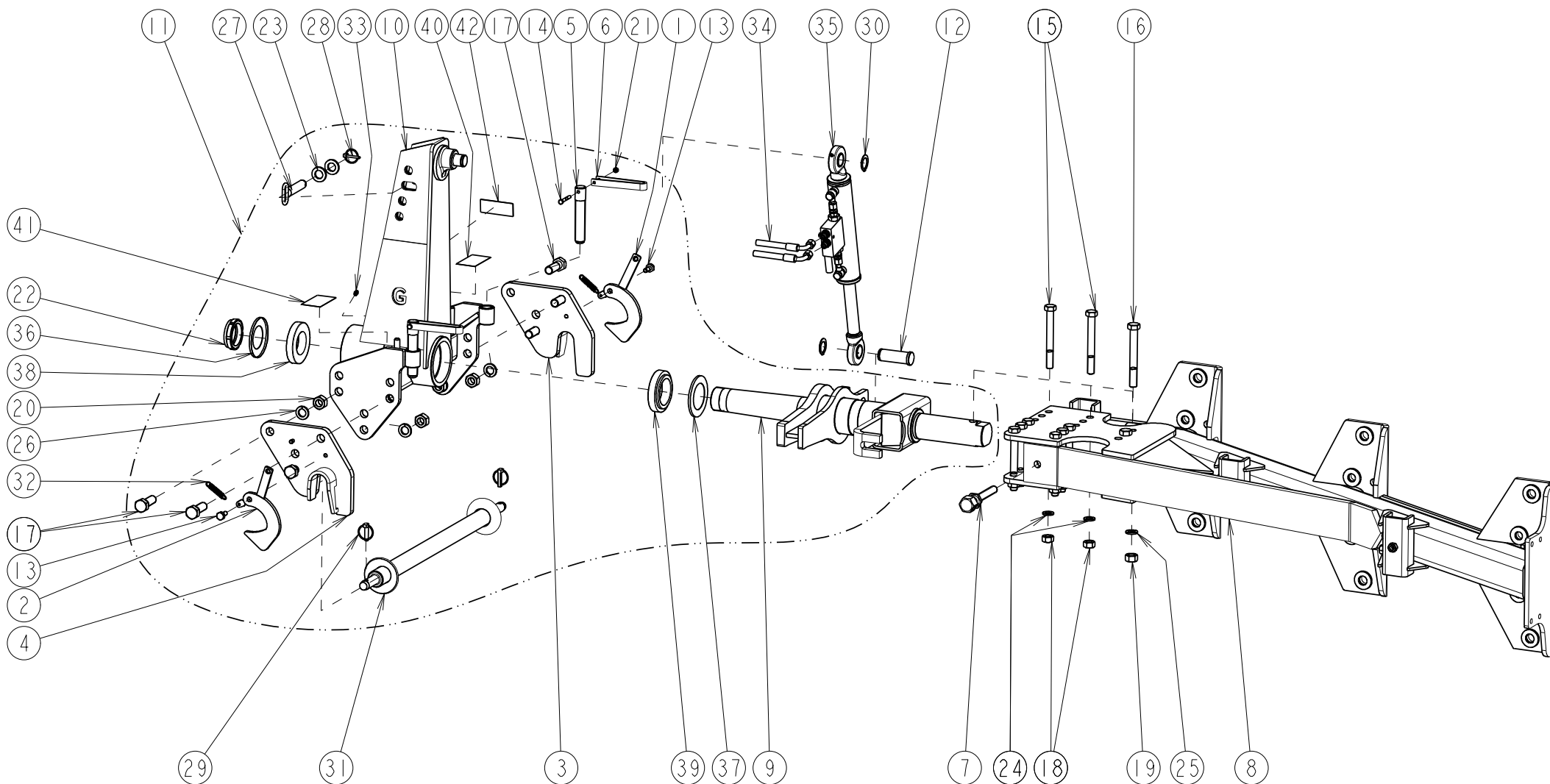
GALUCHO

**CATÁLOGO DE PEÇAS
LISTE DE PIÈCES DE RECHANGE
SPARE PART'S LIST**



CH3-14H

CHARRUA DE 3 FERROS, REVERSÃO HIDRÁULICA
CHARRUE À 3 SOCS, REVERSION HYDRAULIQUE
3 FURROW HYDRAULIC REVERSIBLE PLOUGHS




Exec.	VAlexandre	Verif.	Alter.
Data	24-03-16	Data	Data

CHARRUA CH3-14"H

Série	CH3-H
Cód.	21197CP01

Fig. Ref. N°	Referência Code Codigo	Quantidade/Alfaia Quantité/Machine Quantity/Implement	Descrição	Designation	Description
		CH3-14H			
1	211630110	1	FIXADOR DRT DA CABBOTA	FIXER VILEBREQUIN	FIXER CRANKSHAFT
2	211630120	1	FIXADOR ESQ DA CABBOTA	FIXER VILEBREQUIN	FIXER CRANKSHAFT
3	211630160	1	SUPT DRT DA CABBOTA	SUPPORT DE VILEBREQUIN	SUPPORT CRANKSHAFT
4	211630170	1	SUPT ESQ DA CABBOTA	SUPPORT DE VILEBREQUIN	SUPPORT CRANKSHAFT
5	211630540	2	FUSO M30x175	MANCHON	STOP TURNBUCKLE
6	211630550	2	BRAÇO DO FUSO	MANIVELLE	STOP BRACELET
7	211820280	1	PARAF DE AFINAÇÃO 200	MANCHON REGLAGE	ADJUSTMENTTURNBUCKLE
8	211970011	1	QUADRO CH3-14"H	BÂTI	FRAME
9	211970200	1	CONJUNTO DE AFINAÇÃO CH3-14"H C/VEIO	AXE TÊTE	HEADSTOCK SHAFT
10	211970250	1	CABEÇOTE CH3-14" C/ ROLAMENTOS	TÊTE	HEADSTOCK
11	211970400	1	CONJ CABEÇ+CONJ AFIN C/VEIO	TÊTE + SET DE L'AJUSTEMENT	HEADSTOCK + SET OF ADJUSTEMENT
12	212360110	1	CAV DE FIXAÇÃO DO CILINDRO Ø35	BOULON	PIN
13	900411410	2	PARAF. C/ Liso 14x12.5	VIS HEXAGONAL	HEXAGONAL SCREW
14	910100854	2	PARAF. CS 8.8 M8x60	VIS HEXAGONAL	HEXAGONAL SCREW
15	910102086	8	PARAF. CS 8.8 M20x180	VIS HEXAGONAL	HEXAGONAL SCREW
16	910102286	2	PARAF. CS 8.8 M22x180	VIS HEXAGONAL	HEXAGONAL SCREW
17	910102458	6	PARAF. CS 8.8 M24x70	VIS HEXAGONAL	HEXAGONAL SCREW
18	911118200	8	PORCA SEXT. 8 M20	ÉCROU HEXAGONAL M20	HEXAGONAL NUT M20
19	911118220	2	PORCA SEXT. 8 M22	ÉCROU HEXAGONAL M22	HEXAGONAL NUT M22
20	911118240	6	PORCA SEXT. 8 M24	ÉCROU HEXAGONAL M24	HEXAGONAL NUT M24
21	911150080	2	PORCA S AUTOBL M8 ZN	ÉCROU INDESSERRABLE M8 ZN	SELF LOCKING NUT M8 ZN
22	911177019	1	PORCA RANHUR AUTOBL M70x2	ECROU RAINURE	SLOTTED NUT
23	912012615	2	ANILHA REF Ø26x45x5	RONDELLE	FLAT WASHER
24	912020200	8	ANILHA MOLA 20 ZN	RONDELLE ÉLASTIQUE 20	SPRING WASHER 20
25	912020220	2	ANILHA MOLA 22 ZN	RONDELLE ÉLASTIQUE 22	SPRING WASHER 22
26	912020240	6	ANILHA MOLA 24 ZN	RONDELLE ÉLASTIQUE 24	SPRING WASHER 24
27	913182601	1	CAV. C/ARGOLA Ø25x102	GOUPILLE	LINCH PIN
28	913211060	1	CAVILHA DE ELO Ø 6	GOUPILLE Á ANNEAU ROBOTANT 6	LINCH PIN 6
29	913212110	2	CAVILHA DE ELO Ø 11	GOUPILLE Á ANNEAU ROBOTANT	LINCH PIN
30	914000350	2	FREIO EXT 35x1,5 DIN 471	CIRCLIP EXT	EXT CIRCLIP
31	919250010	1	ENGATE RÁPIDO 28x824-704	SUPPORT DES AXES D'ATTELAGE	TRUNNION BRACKET
32	920112001	2	MOLA TRAC 2x15x73	RESSORT DE TRACCION	DRAFT SPRING
33	930001101	2	LUBRIFICADOR M10x1 RECTO	GRAISEUR	GREASE NIPPLE
34	930309630	2	MANG 3/8"x1350 C3/8F-VR	TUYAU Á HAUTE	HIGH PRESSURE HOSE
35	931007801	1	60G-215 CIL HIDR D E	VÉRIN Á DOUBLE EFFET	DOUBLE-ACTING CYLINDER
36	950017012	1	TAMP ROL 32214 D70 AV NILO RING	JOINT METÁLIQUE	NILO' S RING
37	950018012	1	TAMP ROL 32016 D80 AV NILO RING	JOINT METÁLIQUE	NILO' S RING
38	951330214	1	ROL. 30214 CÓNICO	ROULEMENT	BEARING
39	951332016	1	ROL. 32016 CÓNICO	ROULEMENT	BEARING
40	990150005	1	ETIQ.PREV.FORÇ.LAT.MANT.AFAST.	ETIQUETTE DE PREVENTION	SAFETY STICKER

Fig. Ref. N°	Referência Code Codigo	Quantidade/Alfaia Quantité/Machine Quantity/Implement	Descrição	Designation	Description
		CH3-14H			
41	990150008	1	ETIQ.PREV.PERIG.VAR./CONS.MANU	ETIQUETTE DE PREVENTION	SAFETY STICKER
42	990200010	1	CH. IDENT. ALF. AG. MONTADAS	PLAQUE D'IDENTIFICATION	IDENTIFICATION PLATE

 INDÚSTRIAS METALOMECÂNICAS, S.A. S. JOÃO DAS LAMPAS - PORTUGAL	Exec. VAlexandre	Verif.	Alter.	CHARRUA CH3-14"H	Série CH3-H
	Data 24-03-16	Data	Data		Cód. 21197CP03

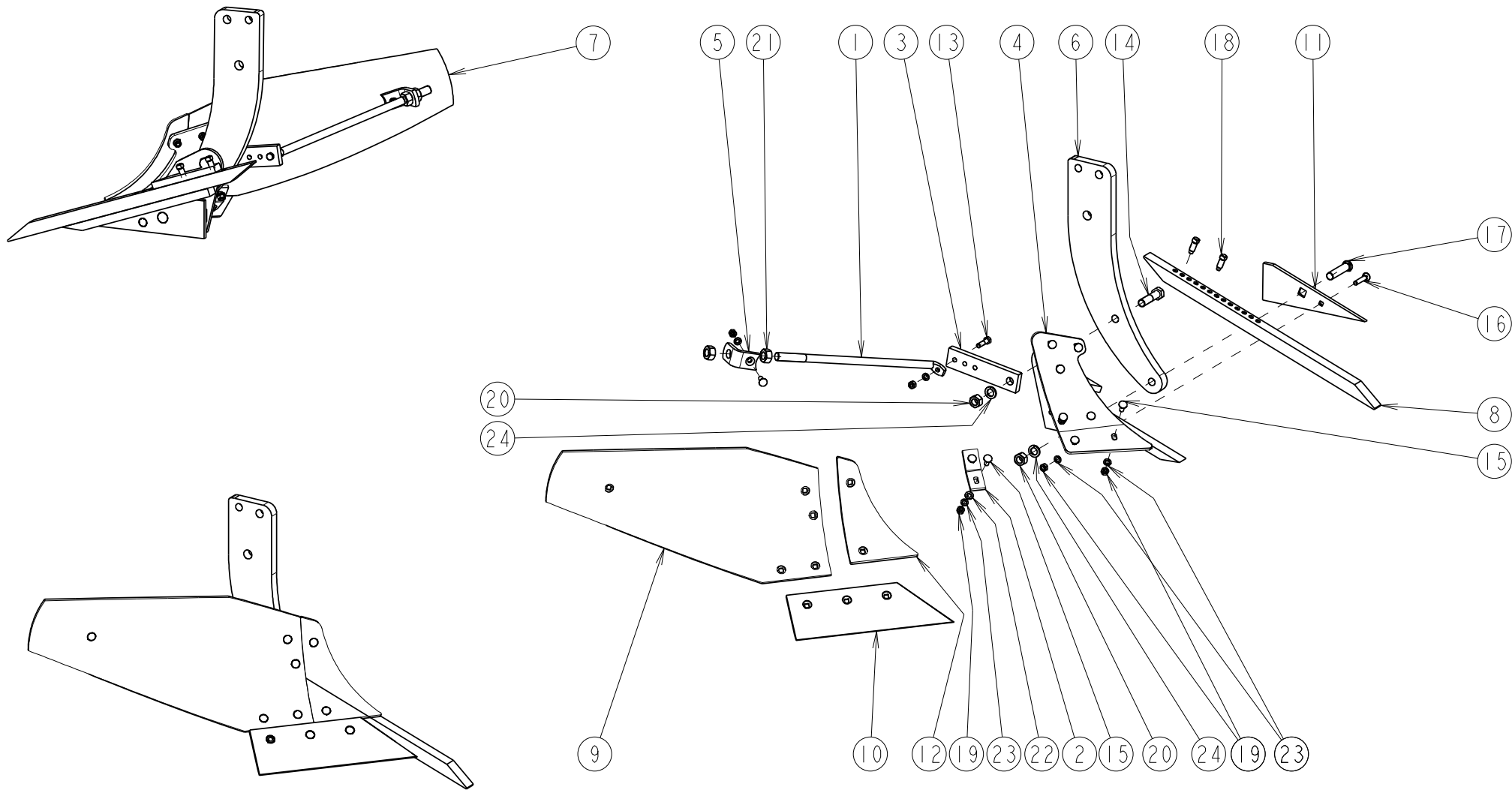
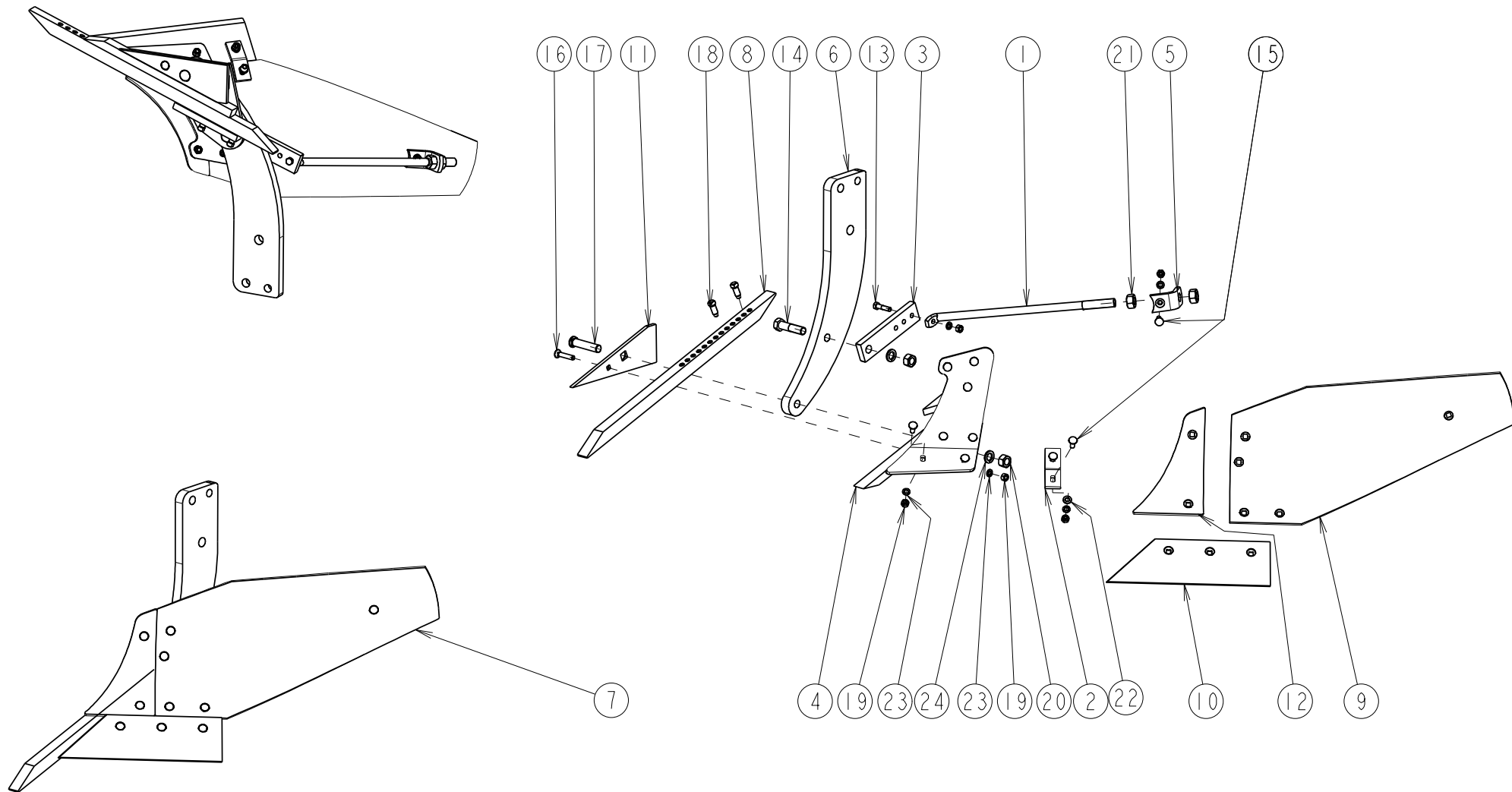



Fig. Ref. N°	Referência Code Codigo	Quantidade/Alfaia Quantité/Machine Quantity/Implement	Descrição	Designation	Description
		CH3-14H			
1	211110700	1	ESCORA 575	ACCROCHEZ	BRACE
2	211140040	1	TRAVESSA AIVECA-RELHA 2 FUROS	LANE	LANE
3	211430830	1	REGULADOR DA ESCORA	ANCRAGE GOUVERNEUR	GOVERNOR ANCHOR
4	211460140	1	CEPO DIREITO 14"	BLOCK DROITE	RIGHT BLOCK
5	211630350	1	SUPORTE DA ESCORA	ENTRETOISE DE SUPPORT	SUPPORT STRUT
6	211930300	1	APO OU TEIRÓ 14/16"H	AGE	BEAM
7	211970120	1	CORPO FORMÃO CH-14" DRT F	BURIN DU CORPS	RIGHT BODY FRAME
8	811114091	1	FORMÃO DIREITO 38x850	CISEAU	CHISEL
9	811122120	1	AIVECA DRT 2F-14"	VERSOIR	MOULDBOARD
10	811132320	1	RELHA DRT 2-14"-180	SOC GAUCHE RASETTE	RIGHT SKIMMER SHARE
11	811142520	1	RASTO DIREITO F 2F-14"-180	SUIVRE	TRACK
12	811152120	1	RASPA DE AIVECA DRT 2F-14"	EPAULEMENT DE VERSOIR	SHIN
13	910101250	1	PARAF. CS 8.8 M12x50	VIS HEXAGONAL	HEXAGONAL SCREW
14	910102266	1	PARAF. CS 8.8 M22x90	VIS HEXAGONAL	HEXAGONAL SCREW
15	910131235	10	PARAF. CE AQ8.8 M12x35	VIS À LA TÊTE PLATE	FLAT HEAD SCREW
16	910131265	1	PARAF. CE AQ8.8 M12x65	VIS À LA TÊTE PLATE	FLAT HEAD SCREW
17	910132284	1	PARAF. CE AQ8.8 M22x105	VIS À LA TÊTE PLATE	FLAT HEAD SCREW
18	910155839	2	PARAF AJUST 5/8BSWx39	VIS	SQUARE SCREW
19	911118120	12	PORCA SEXT. 8 M12	ÉCROU HEXAGONAL M12	HEXAGONAL NUT M12
20	911118220	2	PORCA SEXT. 8 M22	ÉCROU HEXAGONAL M22	HEXAGONAL NUT M22
21	911118240	2	PORCA SEXT. 8 M24	ÉCROU HEXAGONAL M24	HEXAGONAL NUT M24
22	912000140	2	ANILHA 13-M12	RONDELLE 13-M12	FLAT WASHER 13-M12
23	912020120	12	ANILHA MOLA 12 ZN	RONDELLE ÉLASTIQUE 12	SPRING WASHER 12
24	912020220	2	ANILHA MOLA 22 ZN	RONDELLE ÉLASTIQUE 22	SPRING WASHER 22

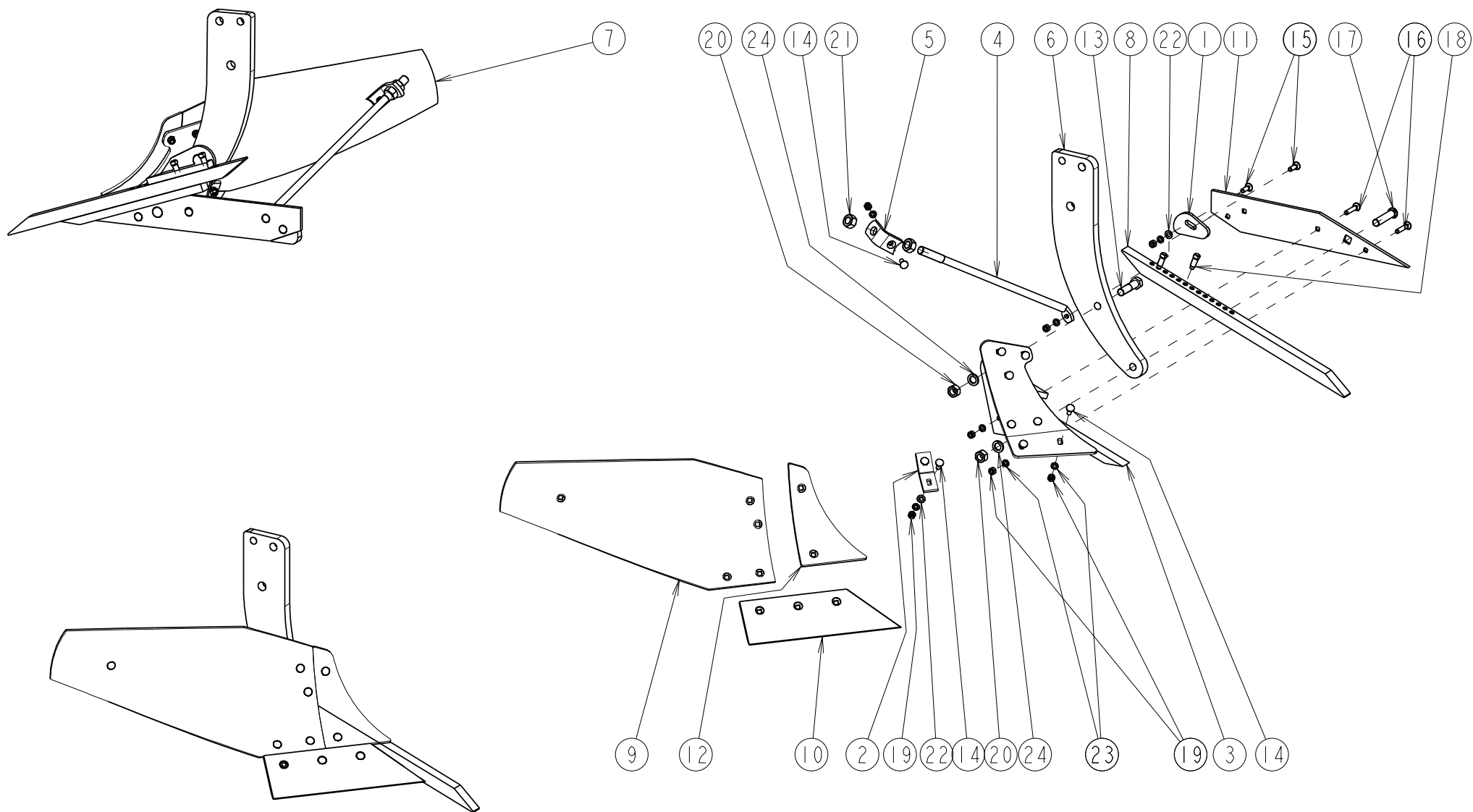


Exec.	VAlexandre	Verif.	Alter.
Data	24-03-16	Data	Data

Série	CH3-H
Cód.	21197CP06

Fig. Ref. N°	Referência Code Codigo	Quantidade/Alfaia Quantité/Machine Quantity/Implement	Descrição	Designation	Description
		CH3-14H			
1	211110700	1	ESCORA 575	ACCROCHEZ	BRACE
2	211140040	1	TRAVESSA AIVECA-RELHA 2 FUROS	LANE	LANE
3	211430830	1	REGULADOR DA ESCORA	ANCRAGE GOUVERNEUR	GOVERNOR ANCHOR
4	211460220	1	CEPO ESQUERDO 14"	BLOCK DROITE	RIGHT BLOCK
5	211630350	1	SUPORTE DA ESCORA	ENTRETOISE DE SUPPORT	SUPPORT STRUT
6	211930300	1	APO OU TEIRÓ 14/16"H	AGE	BEAM
7	211970130	1	CORPO FORMÃO CH3-14 ESQ F	BURIN DU CORPS	LEFT BODY FRAME
8	811114092	1	FORMÃO ESQUERDO 38x850	CISEAU	CHISEL
9	811122110	1	AIVECA ESQ 2F-14"	VERSOIR	MOULDBOARD
10	811132310	1	RELHA ESQ 2-14"-180	SOC GAUCHE RASETTE	RIGHT SKIMMER SHARE
11	811142510	1	RASTO ESQUERDO F 2F-14"-180	SUIVRE	TRACK
12	811152110	1	RASPA DE AIVECA ESQ 2F-14"	EPAULEMENT DE VERSOIR	SHIN
13	910101250	1	PARAF. CS 8.8 M12x50	VIS HEXAGONAL	HEXAGONAL SCREW
14	910102266	1	PARAF. CS 8.8 M22x90	VIS HEXAGONAL	HEXAGONAL SCREW
15	910131235	10	PARAF. CE AQ8.8 M12x35	VIS À LA TÊTE PLATE	FLAT HEAD SCREW
16	910131265	1	PARAF. CE AQ8.8 M12x65	VIS À LA TÊTE PLATE	FLAT HEAD SCREW
17	910132284	1	PARAF. CE AQ8.8 M22x105	VIS À LA TÊTE PLATE	FLAT HEAD SCREW
18	910155839	2	PARAF AJUST 5/8BSWx39	VIS	SQUARE SCREW
19	911118120	12	PORCA SEXT. 8 M12	ÉCROU HEXAGONAL M12	HEXAGONAL NUT M12
20	911118220	2	PORCA SEXT. 8 M22	ÉCROU HEXAGONAL M22	HEXAGONAL NUT M22
21	911118240	2	PORCA SEXT. 8 M24	ÉCROU HEXAGONAL M24	HEXAGONAL NUT M24
22	912000140	2	ANILHA 13-M12	RONDELLE 13-M12	FLAT WASHER 13-M12
23	912020120	12	ANILHA MOLA 12 ZN	RONDELLE ÉLASTIQUE 12	SPRING WASHER 12
24	912020220	2	ANILHA MOLA 22 ZN	RONDELLE ÉLASTIQUE 22	SPRING WASHER 22

 INDÚSTRIAS METALOMECÂNICAS, S.A. S. JOÃO DAS LAMPAS - PORTUGAL	Exec.	VAlexandre	Verif.	Alter.	CHARRUA CH3-14"H CORPO FORMÃO CH3-14 ESQ F	Série	CH3-H
	Data	24-03-16	Data	Data		Cód.	21197CP07



Exec.	VAlexandre	Verif.		Alter.	
Data	24-03-16	Data		Data	

CHARRUA CH3-14"H
CORPO FORMÃO CH-14" DRT T

Série	CH3-H
Cód.	21197CP08

Fig. Ref. N°	Referência Code Codigo	Quantidade/Alfaia Quantité/Machine Quantity/Implement	Descrição	Designation	Description
		CH3-14H			
1	150200100	1	CALÇO DRT N°2	TALON DROIT	RIGHT HEEL
2	211140040	1	TRAVESSA AIVECA-RELHA 2 FUROS	LANE	LANE
3	211460140	1	CEPO DIREITO 14"	BLOCK DROITE	RIGHT BLOCK
4	211460710	1	ESCORA 690	ACCROCHEZ	BRACE
5	211630350	1	SUPORTE DA ESCORA	ENTRETOISE DE SUPPORT	SUPPORT STRUT
6	211930300	1	APO OU TEIRÓ 14/16"H	AGE	BEAM
7	211970140	1	CORPO FORMÃO CH-14" DRT T	BURIN DU CORPS	RIGHT BODY FRAME
8	811114091	1	FORMÃO DIREITO 38x850	CISEAU	CHISEL
9	811122120	1	AIVECA DRT 2F-14"	VERSOIR	MOULDBOARD
10	811132320	1	RELHA DRT 2-14"-180	SOC GAUCHE RASETTE	RIGHT SKIMMER SHARE
11	811142620	1	RASTO DIREITO T 2F-14"-180	SUIVRE	TRACK
12	811152120	1	RASPA DE AIVECA DRT 2F-14"	EPAULEMENT DE VERSOIR	SHIN
13	910102266	1	PARAF. CS 8.8 M22x90	VIS HEXAGONAL	HEXAGONAL SCREW
14	910131235	10	PARAF. CE AQ8.8 M12x35	VIS À LA TÊTE PLATE	FLAT HEAD SCREW
15	910131240	2	PARAF. CE AQ8.8 M12x40	VIS À LA TÊTE PLATE	FLAT HEAD SCREW
16	910131265	2	PARAF. CE AQ8.8 M12x65	VIS À LA TÊTE PLATE	FLAT HEAD SCREW
17	910132284	1	PARAF. CE AQ8.8 M22x105	VIS À LA TÊTE PLATE	FLAT HEAD SCREW
18	910155839	2	PARAF AJUST 5/8BSWx39	VIS	SQUARE SCREW
19	911118120	14	PORCA SEXT. 8 M12	ÉCROU HEXAGONAL M12	HEXAGONAL NUT M12
20	911118220	2	PORCA SEXT. 8 M22	ÉCROU HEXAGONAL M22	HEXAGONAL NUT M22
21	911118240	2	PORCA SEXT. 8 M24	ÉCROU HEXAGONAL M24	HEXAGONAL NUT M24
22	912000140	3	ANILHA 13-M12	RONDELLE 13-M12	FLAT WASHER 13-M12
23	912020120	14	ANILHA MOLA 12 ZN	RONDELLE ÉLASTIQUE 12	SPRING WASHER 12
24	912020220	2	ANILHA MOLA 22 ZN	RONDELLE ÉLASTIQUE 22	SPRING WASHER 22

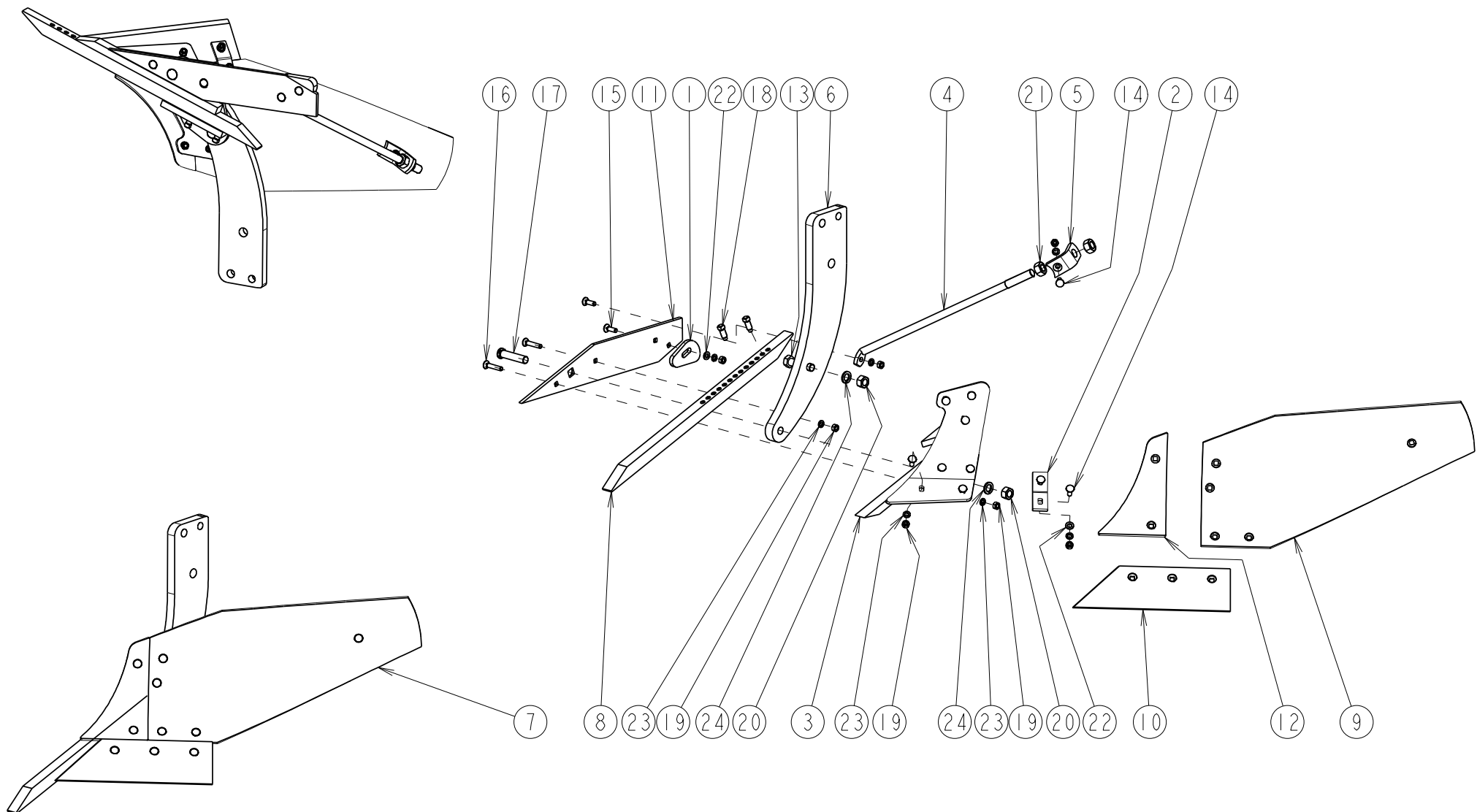


Fig. Ref. N°	Referência Code Codigo	Quantidade/Alfaia Quantité/Machine Quantity/Implement	Descrição	Designation	Description
		CH3-14H			
1	150200090	1	CALÇO ESQ N°1	TALON GAUCHE N°1	LEFT HEEL N°1
2	211140040	1	TRAVESSA AIVECA-RELHA 2 FUROS	LANE	LANE
3	211460220	1	CEPO ESQUERDO 14"	BLOCK DROITE	RIGHT BLOCK
4	211460710	1	ESCORA 690	ACCROCHEZ	BRACE
5	211630350	1	SUPORTE DA ESCORA	ENTRETOISE DE SUPPORT	SUPPORT STRUT
6	211930300	1	APO OU TEIRÓ 14/16"H	AGE	BEAM
7	211970150	1	CORPO FORMÃO CH3-14 ESQ T	BURIN DU CORPS	LEFT BODY FRAME
8	811114092	1	FORMÃO ESQUERDO 38x850	CISEAU	CHISEL
9	811122110	1	AIVECA ESQ 2F-14"	VERSOIR	MOULDBOARD
10	811132310	1	RELHA ESQ 2-14"-180	SOC GAUCHE RASSETTE	RIGHT SKIMMER SHARE
11	811142610	1	RASTO ESQUERDO T 2F-14"-180	SUIVRE	TRACK
12	811152110	1	RASPA DE AIVECA ESQ 2F-14"	EPAULEMENT DE VERSOIR	SHIN
13	910102266	1	PARAF. CS 8.8 M22x90	VIS HEXAGONAL	HEXAGONAL SCREW
14	910131235	10	PARAF. CE AQ8.8 M12x35	VIS À LA TÊTE PLATE	FLAT HEAD SCREW
15	910131240	2	PARAF. CE AQ8.8 M12x40	VIS À LA TÊTE PLATE	FLAT HEAD SCREW
16	910131265	2	PARAF. CE AQ8.8 M12x65	VIS À LA TÊTE PLATE	FLAT HEAD SCREW
17	910132284	1	PARAF. CE AQ8.8 M22x105	VIS À LA TÊTE PLATE	FLAT HEAD SCREW
18	910155839	2	PARAF AJUST 5/8BSWx39	VIS	SQUARE SCREW
19	911118120	14	PORCA SEXT. 8 M12	ÉCROU HEXAGONAL M12	HEXAGONAL NUT M12
20	911118220	2	PORCA SEXT. 8 M22	ÉCROU HEXAGONAL M22	HEXAGONAL NUT M22
21	911118240	2	PORCA SEXT. 8 M24	ÉCROU HEXAGONAL M24	HEXAGONAL NUT M24
22	912000140	3	ANILHA 13-M12	RONDELLE 13-M12	FLAT WASHER 13-M12
23	912020120	14	ANILHA MOLA 12 ZN	RONDELLE ÉLASTIQUE 12	SPRING WASHER 12
24	912020220	2	ANILHA MOLA 22 ZN	RONDELLE ÉLASTIQUE 22	SPRING WASHER 22

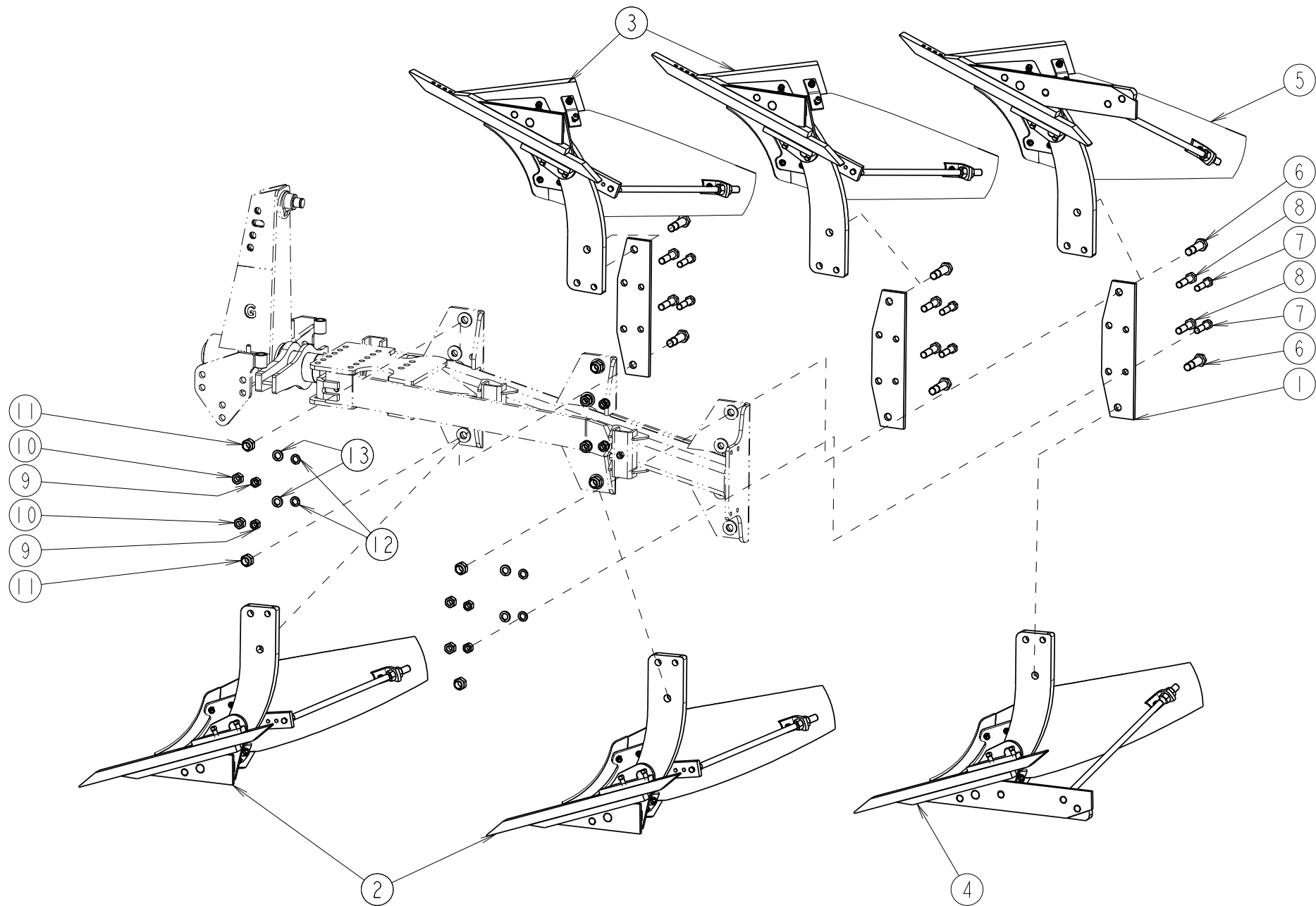


Fig. Ref. N°	Referência Code Codigo	Quantidade/Alfaia Quantité/Machine Quantity/Implement	Descrição	Designation	Description
		CH3-14H			
1	211930121	3	REF SUPT DO APO 530x133	PLAQUE EXTERIOR AGE	OUT BEAM PLATE
2	211970120	2	CORPO FORMÃO CH-14" DRT F	BURIN DU CORPS	RIGHT BODY FRAME
3	211970130	2	CORPO FORMÃO CH3-14 ESQ F	BURIN DU CORPS	LEFT BODY FRAME
4	211970140	1	CORPO FORMÃO CH-14" DRT T	BURIN DU CORPS	RIGHT BODY FRAME
5	211970150	1	CORPO FORMÃO CH3-14 ESQ T	BURIN DU CORPS	LEFT BODY FRAME
6	900332700	6	PARAF CAB SEXT M27x106-46	VIS HEXAGONAL	HEXAGONAL SCREW
7	910102266	6	PARAF. CS 8.8 M22x90	VIS HEXAGONAL	HEXAGONAL SCREW
8	910102470	6	PARAF. CS 8.8 M24x100	VIS HEXAGONAL	HEXAGONAL SCREW
9	911118220	6	PORCA SEXT. 8 M22	ÉCROU HEXAGONAL M22	HEXAGONAL NUT M22
10	911118240	6	PORCA SEXT. 8 M24	ÉCROU HEXAGONAL M24	HEXAGONAL NUT M24
11	911150270	6	PORCA S AUTOBL M27 ZN	ÉCROU INDESSERRABLE M27 ZN	SELF LOCKING NUT M27 ZN
12	912020220	6	ANILHA MOLA 22 ZN	RONDELLE ÉLASTIQUE 22	SPRING WASHER 22
13	912020240	6	ANILHA MOLA 24 ZN	RONDELLE ÉLASTIQUE 24	SPRING WASHER 24


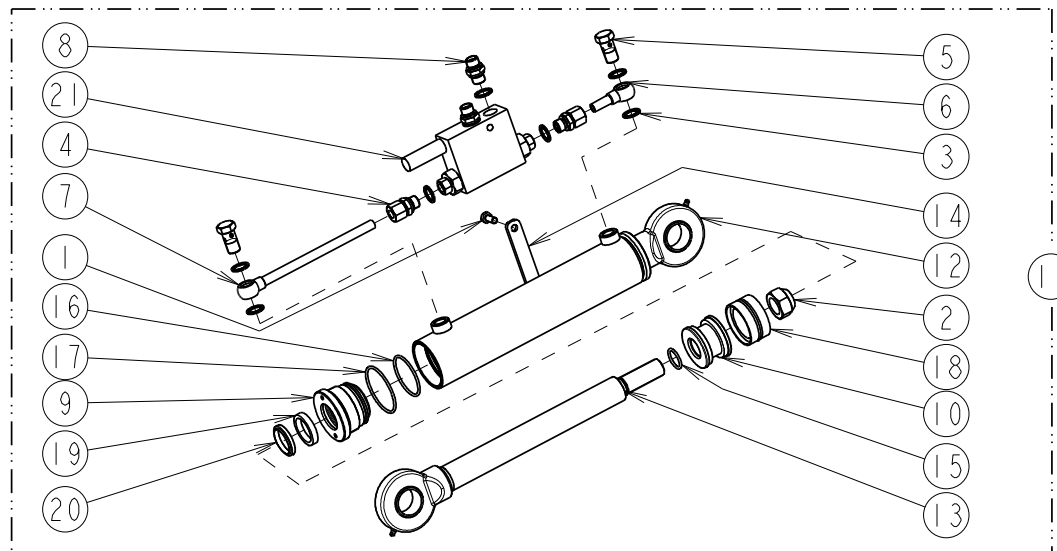
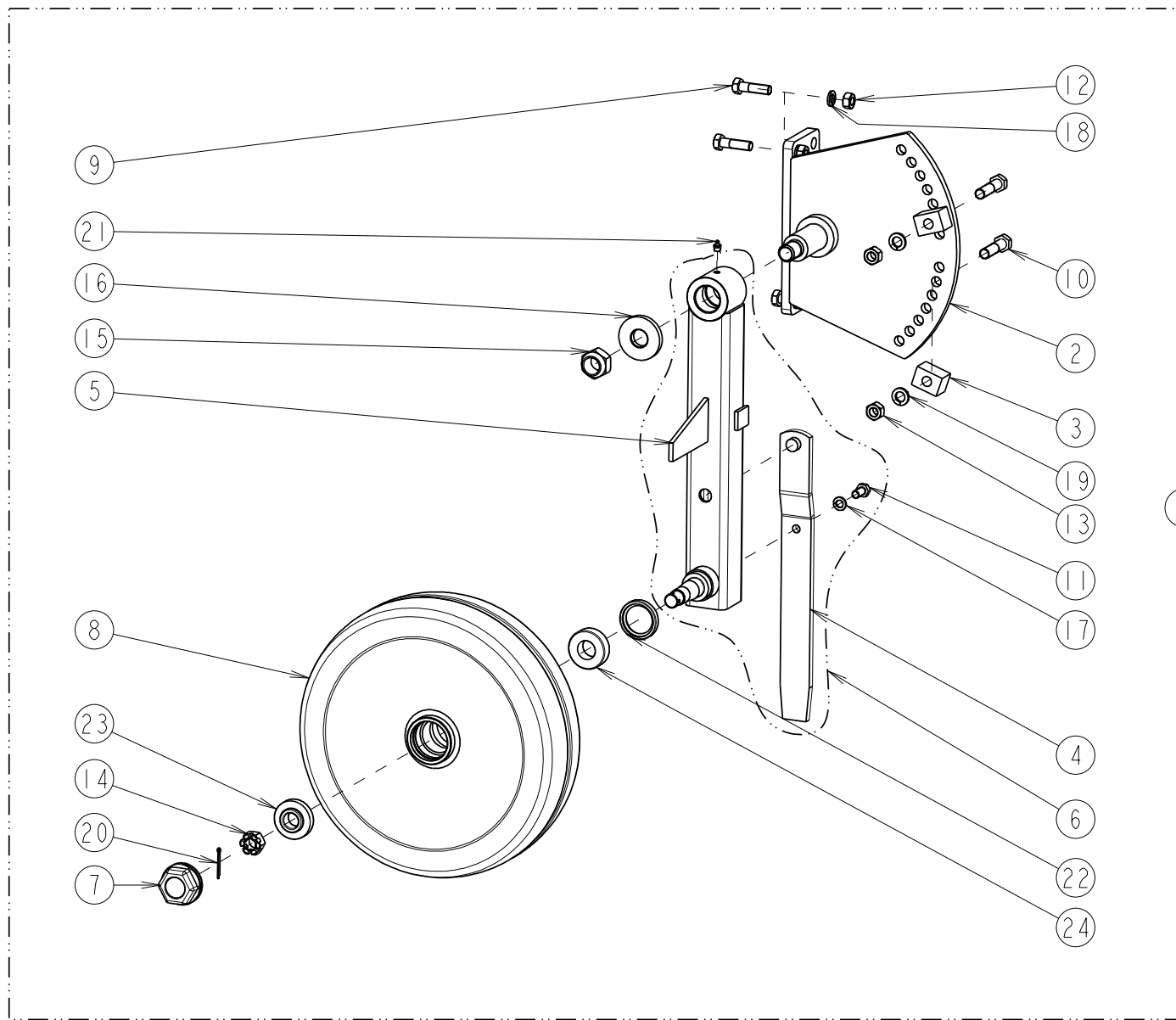
 INDÚSTRIAS METALOMECÂNICAS, S.A. S. JOÃO DAS LAMPAS - PORTUGAL	Exec. VAlexandre	Verif.	Alter.	CHARRUA CH3-14"H CORPOS DE FORMÕES	Série CH3-H
	Data 24-03-16	Data	Data		Cód. 21197CP13

Fig. Ref. N°	Referência Code Codigo	Quantidade/Alfaia Quantité/Machine Quantity/Implement	Descrição	Designation	Description
		CH3-14H			
1	910110820	1	PARAF. CS RT 8.8 M8x20	VIS HEXAGONAL	HEXAGONAL SCREW
2	911151240	1	PORCA S AUTOBL M24x2 ZN	ÉCROU INDESSERRABLE M24x2 ZN	SELF LOCKING NUT M24x2 ZN
3	912068167	8	ANILHA VED. 16.7x24.x1.5	RONDELLE D'ÉTAINCHÉITÉ	SEALING WASHER
4	930541120	2	UNIÃO DL12 DIN 2353	ÉCROU DE RAPPEL Ø12	MALE CONECTION Ø12
5	930609212	2	PARAF. REF. 3EB672-12-21	VIS	BOLT
6	930609270	1	BANJO 3/8"xØ12-50	BANJO	BANJO
7	930609271	1	BANJO 3/8"xØ12-200	BANJO	BANJO
8	930623838	2	UNIÃO DUP.MACHO 3/8BSP	ECROU DE RAPPEL MALE 3/8"BSP	MALE UNION 3/8"BSP
9	930965018	1	TAMPA DO CILINDRO 60Gx50	CULASSE 60Gx50	60Gx50 END COVER
10	930970120	1	PORCA ÊMBOLO GAL-60G	PISTON 60G	60G NUT
11	931007801	1	60G-215 CIL HIDR D E	VÉRIN À DOUBLE EFFET	DOUBLE-ACTING CYLINDER
12	931007810	1	CORPO DO CILINDRO 60G-215	CORPS DU VÉRIN	CYLINDER BODY
13	931007820	1	HASTE Ø35x408-Ø35	ARBRE DE TIGE	PISTON ROCKER
14	931007890	1	APOIO DA VALV 88.5	SUPPORT D' VALVE	VALVE SUPPORT
15	932003024	1	O'RING 3x24 90 SHORE A	JOINT TORIQUE	O'RING
16	932003054	1	O'RING 3x54 90 SHORE A	JOINT TORIQUE	O'RING
17	932003063	1	O'RING 3x63 90 SHORE A	JOINT TORIQUE	O'RING
18	932110601	1	VEDANTE 60x44x18,5 A/DUP	JOINT	SEAL
19	932120358	1	VEDANTE 35x45x8	JOINT DE LA TIGE	ROD SEAL
20	932240351	1	LABIO RASPADOR 35x43x5x7	RÂCLEUR	SCRAPER
21	933499085	1	VALVULA AUTO-REVERSE VRA 60/80 SE	SOUPAPE DE RÉTENUÉ HYDRAULIQUE	HYDRAULIC RETAINING VALVE



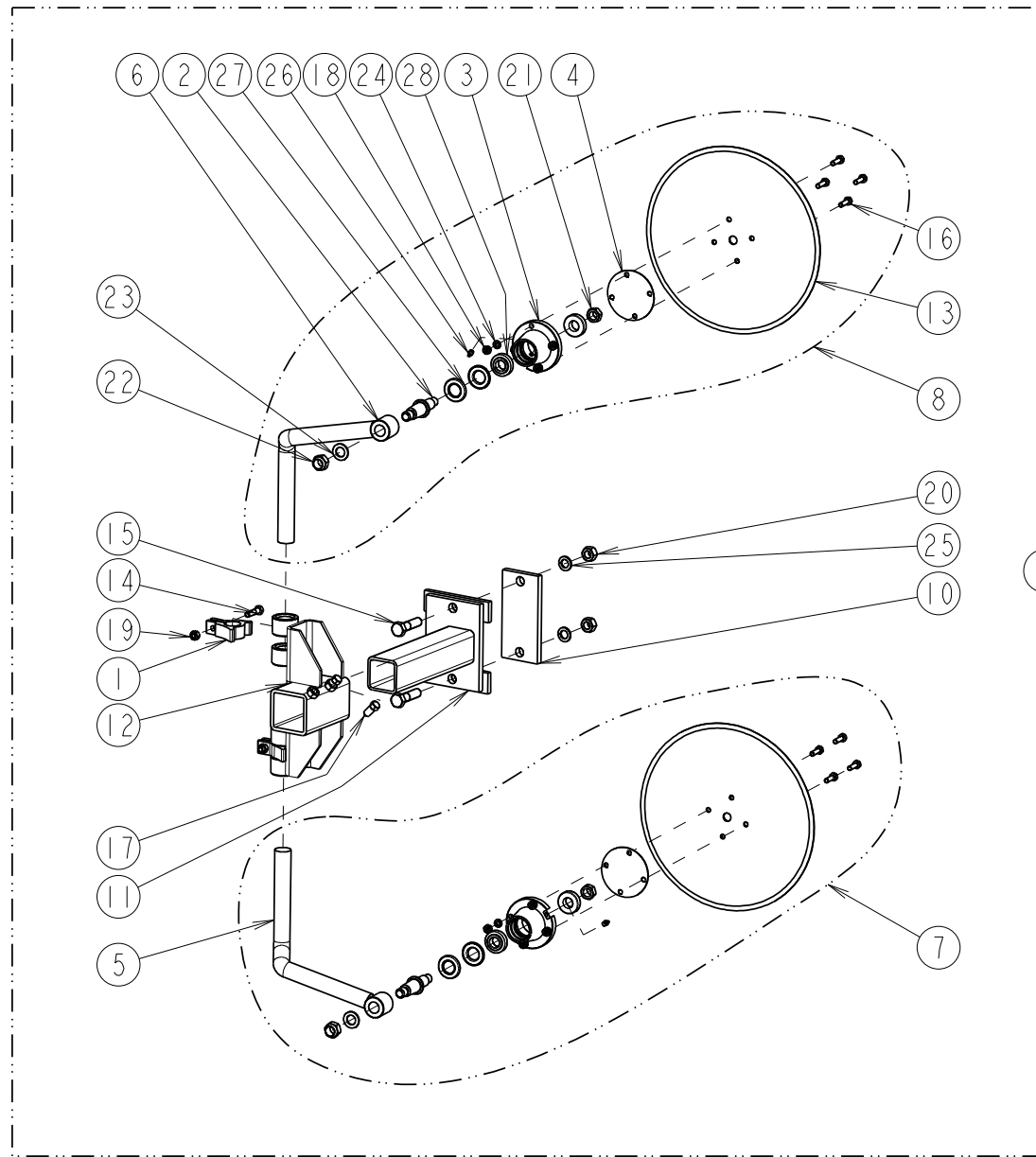


Exec.	VAlexandre	Verif.	Alter.
Data	24-03-16	Data	Data

CHARRUA CH3-14"H
RODA REG. PROF. TANCHARIA

Série	CH3-H
Cód.	21197CP15

Fig. Ref. N ^o	Referência Code Codigo	Quantidade/Alfaia Quantité/Machine Quantity/Implement	Descrição	Designation	Description
		CH3-14H			
1	211952001	1	RODA REG. PROF. TANCHARIA	ROUE DE PROFONDEUR	DEPTH WHEEL
2	211971011	1	REG DE PROFUNDIDADE 210	RÉGULATEUR DE PROFONDEUR 210	DEPTH WHEEL ASSEMBLY 210
3	212410300	2	BATENTE □32xØ 16	POSITIONER □32xØ 16	POSITIONER □32xØ 16
4	212410960	1	FIXADOR DA RODA CONJ.	ASSEMBLAGE DE FIXER LA ROUE	FIXED WHEEL ASSEMBLY
5	212621030	1	BRAÇO DA RODA	BRAS DE LA ROUE	WHEEL ARM
6	212621040	1	BRAÇO DA RODA CONJ.	ENSEMBLE BRAS DE LA ROUE	WHEEL ARM ASSEMBLY
7	232140171	1	TAMPÃO DA CHUMACEIRA	COUVERCLE DU PALIER	BEARING CAP
8	242312020	1	RODA DE TANCHARIA	ROUE	WHEEL
9	910101450	4	PARAF. CS 8.8 M14x50	VIS HEXAGONAL	HEXAGONAL SCREW
10	910101656	2	PARAF. CS 8.8 M16x65	VIS HEXAGONAL	HEXAGONAL SCREW
11	910111225	1	PARAF. CS RT 8.8 M12x25	VIS HEXAGONAL	HEXAGONAL SCREW
12	911118140	4	PORCA SEXT. 8 M14	ÉCROU HEXAGONAL M14	HEXAGONAL NUT M14
13	911118160	2	PORCA SEXT. 8 M16	ÉCROU HEXAGONAL M16	HEXAGONAL NUT M16
14	911133220	1	PORCA M22-18 CAST Cl.8	ÉCROU CRENELÉ M22-18 Cl.8	SLOTTED NUT M22-18 Cl.8
15	911150270	1	PORCA S AUTOBL M27 ZN	ÉCROU INDESSERRABLE M27 ZN	SELF LOCKING NUT M27 ZN
16	912012810	1	ANILHA REF Ø28x70x10	RONDELLE	FLAT WASHER
17	912020120	1	ANILHA MOLA 12 ZN	RONDELLE ÉLASTIQUE 12	SPRING WASHER 12
18	912020140	4	ANILHA MOLA 14 ZN	RONDELLE ÉLASTIQUE 14	SPRING WASHER 14
19	912020160	2	ANILHA MOLA 16 ZN	RONDELLE ÉLASTIQUE 16	SPRING WASHER 16
20	913224040	1	TROÇO EM AÇO 4x40 DIN94	GOUPILLE FENDUE 4x40 DIN94	SPLIT COTTER PIN 4x40 DIN94
21	930001101	1	LUBRIFICADOR M10x1 RECTO	GRAISEUR	GREASE NIPPLE
22	932204520	1	RETENTOR 45x62x10	JOINT	RETAINER
23	951330305	1	ROL. 30305 CÓNICO	ROULEMENT	BEARING
24	951332206	1	ROL. 32206 CÓNICO	ROULEMENT	BEARING



Exec.	VAlexandre	Verif.		Alter.	
Data	24-03-16	Data		Data	

CHARRUA CH3-14"H
DISCO DE SEGA CH3-12"/13"H

Série	CH3-H
Cód.	21197CP17

Fig. Ref. N°	Referência Code Codigo	Quantidade/Alfaia Quantité/Machine Quantity/Implement	Descrição	Designation	Description
		CH3-14H			
1	211632050	2	AFINADOR DO DISCO	TUNER DISC	TUNER DISC
2	211632100	2	VEIO DO DISCO DE SEGA	AXE DE ROTATION	DISC ROTARY AXLE
3	211632120	2	CUBO DO DISCO DE SEGA	SEUL COUTRE	HUB DISC
4	211632130	2	CÍRCULO 100x120	CERCLE	CIRCLE
5	211632170	1	BRAÇO DRT DA SEGA CONJ	BRAS DROIT	RIGHT ARM
6	211632180	1	BRAÇO ESQ DA SEGA CONJ	BRAS GAUCHE	LEFT ARM
7	211632220	1	SEGA DISCO COMPL DRT 18"	DROIT COUTRES	RIGHT DISC COULTRS
8	211632230	1	SEGA DISCO COMPL ESQ 18"	GAUCHE COUTRES	LEFT DISC COULTRS
9	211951000	1	DISCO DE SEGA CH3-12"/13"H	COUTRE CIRCULAIRE	DISC COULTER
10	211951040	1	TRAVESSA DE APERTO 172	PLAQUE DE SERRAGE	TIGHTENING PLATE
11	211951080	1	CONJ SUPT DO DA SEGA DE DISCO 122	SUPPORT DE LA COUTRE	COULTER SUPPORT
12	211951090	1	CONJ APOIO SEGA DISCO CH3-12"/13"/14"H	SUPPORT DE LA COUTRE	COULTRE SUPPORT
13	811011855	2	DISCO DE SEGA LISO 18"	DISQUE	HARD MOWING
14	910101245	2	PARAF. CS 8.8 M12x45	VIS HEXAGONAL	HEXAGONAL SCREW
15	910102060	2	PARAF. CS 8.8 M20x75	VIS HEXAGONAL	HEXAGONAL SCREW
16	910111035	8	PARAF. CS RT 8.8 M10x35	VIS HEXAGONAL	HEXAGONAL SCREW
17	910151637	2	PARAF. AJUST. CI.12.9 M16x35	VIS AJUSTEMENT	ADJUSTEMENT SCREW
18	911118100	8	PORCA SEXT. 8 M10	ÉCROU HEXAGONAL M10	HEXAGONAL NUT M10
19	911118120	2	PORCA SEXT. 8 M12	ÉCROU HEXAGONAL M12	HEXAGONAL NUT M12
20	911118200	2	PORCA SEXT. 8 M20	ÉCROU HEXAGONAL M20	HEXAGONAL NUT M20
21	911150200	2	PORCA S AUTOBL M20 ZN	ÉCROU INDESSERRABLE M20 ZN	SELF LOCKING NUT M20 ZN
22	911150220	2	PORCA S AUTOBL M22 ZN	ÉCROU INDESSERRABLE M22 ZN	SELF LOCKING NUT M22 ZN
23	912000240	2	ANILHA 23-M22	RONDELLE 23-M22	FLAT WASHER 23-M22
24	912020100	8	ANILHA MOLA 10 ZN	RONDELLE ÉLASTIQUE 10	SPRING WASHER 10
25	912020200	2	ANILHA MOLA 20 ZN	RONDELLE ÉLASTIQUE 20	SPRING WASHER 20
26	930001101	2	LUBRIFICADOR M10x1 RECTO	GRAISEUR	GREASE NIPPLE
27	950023055	4	ANEL VEDADOR FOSFATIZADO 30x55	RONDELLE D'ÉTAINCHÉITÉ	SEALING WASHER
28	951330205	4	ROL. 30205 CÓNICO	ROULEMENT	BEARING

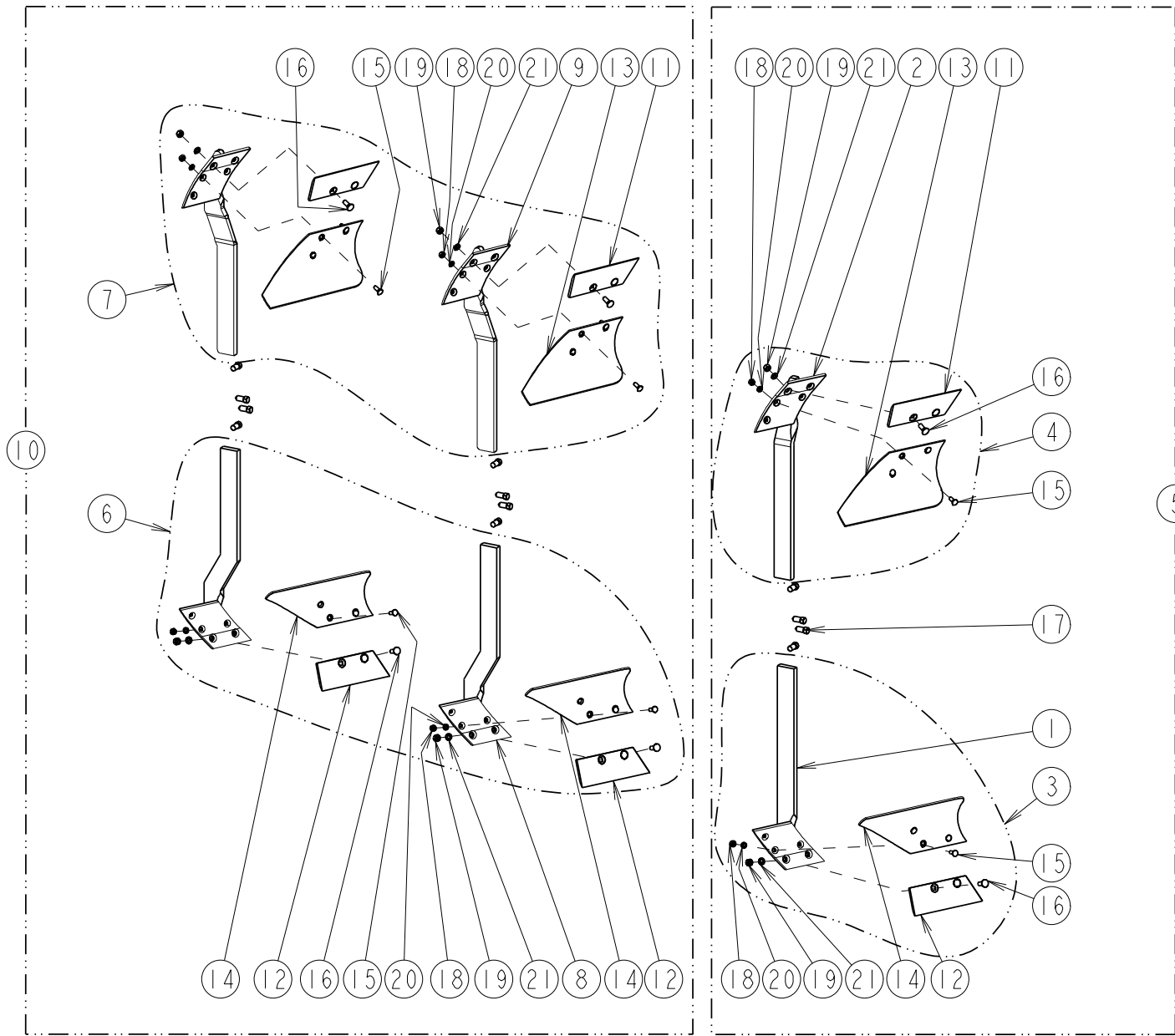


Fig. Ref. N°	Referência Code Codigo	Quantidade/Alfaia Quantité/Machine Quantity/Implement	Descrição	Designation	Description
		CH3-14H			
1	211713030	1	BRAÇO DRT RASPADEIRA 710	BRAS RASLETTE DROITE	RIGHT SKIMMER ARM
2	211713040	1	BRAÇO ESQ RASPADEIRA 710	BRAS RASLETTE GAUCHE	LEFT SKIMMER ARM
3	211713050	1	RASPADEIRA CONJ DRT	RASLETTE DROITE	RIGHT SKIMMER
4	211713060	1	RASPADEIRA CONJ ESQ	RASLETTE GAUCHE	LEFT SKIMMER
5	211841030	1	CONJ RASPADEIRAS CH2-M/H (PAR)	RASSETTES (PAIRE)	SKIMMER (PAIR)
6	211841050	2	RASPADEIRA CH2-14"M CURVA DRT	RASLETTE CH2-14"M DROITE	RIGHT SKIMMER CH2-14"M
7	211841060	2	RASPADEIRA CH2-14"M CURVA ESQ	RASLETTE CH2-14"M GAUCHE	LEFT SKIMMER CH2-14"M
8	211841070	2	BRAÇO CURVO DRT RASP CONJ 670	BRAS COURBÉ RASLETTE DROITE 670	CURVED RIGHT SKIMMER ARM 670
9	211841080	2	BRAÇO CURVO ESQ DA RASP CONJ 670	BRAS COURBÉ RASLETTE GAUCHE 670	CURVED RIGHT SKIMMER ARM 670
10	211841100	2	CONJ RASP CH2-14" TRAS CURVAS (PAR)	RASSETTES (PAIRE)	SKIMMER (PAIR)
11	811132810	3	RELHA ESQ	SOC GAUCHE RASLETTE	RIGHT SKIMMER SHARE
12	811132820	3	RELHA DRT	SOC GAUCHE RASLETTE	RIGHT SKIMMER SHARE
13	811162210	3	RASPADEIRA ESQ	RASLETTE DROITE	RIGHT SKIMMER
14	811162220	3	RASPADEIRA DRT	RASLETTE GAUCHE	LEFT SKIMMER
15	910131030	18	PARAF. CE AQ8.8 M10x30	VIS À LA TÊTE PLATE	FLAT HEAD SCREW
16	910131235	12	PARAF. CE AQ8.8 M12x35	VIS À LA TÊTE PLATE	FLAT HEAD SCREW
17	910151637	12	PARAF. AJUST. CI.12.9 M16x35	VIS AJUSTEMENT	ADJUSTEMENT SCREW
18	911118100	18	PORCA SEXT. 8 M10	ÉCROU HEXAGONAL M10	HEXAGONAL NUT M10
19	911118120	12	PORCA SEXT. 8 M12	ÉCROU HEXAGONAL M12	HEXAGONAL NUT M12
20	912020100	18	ANILHA MOLA 10 ZN	RONDELLE ÉLASTIQUE 10	SPRING WASHER 10
21	912020120	12	ANILHA MOLA 12 ZN	RONDELLE ÉLASTIQUE 12	SPRING WASHER 12